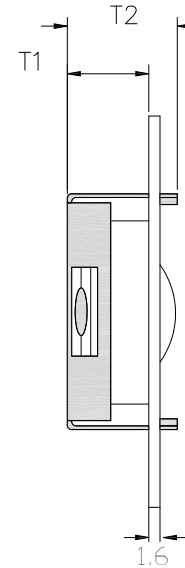
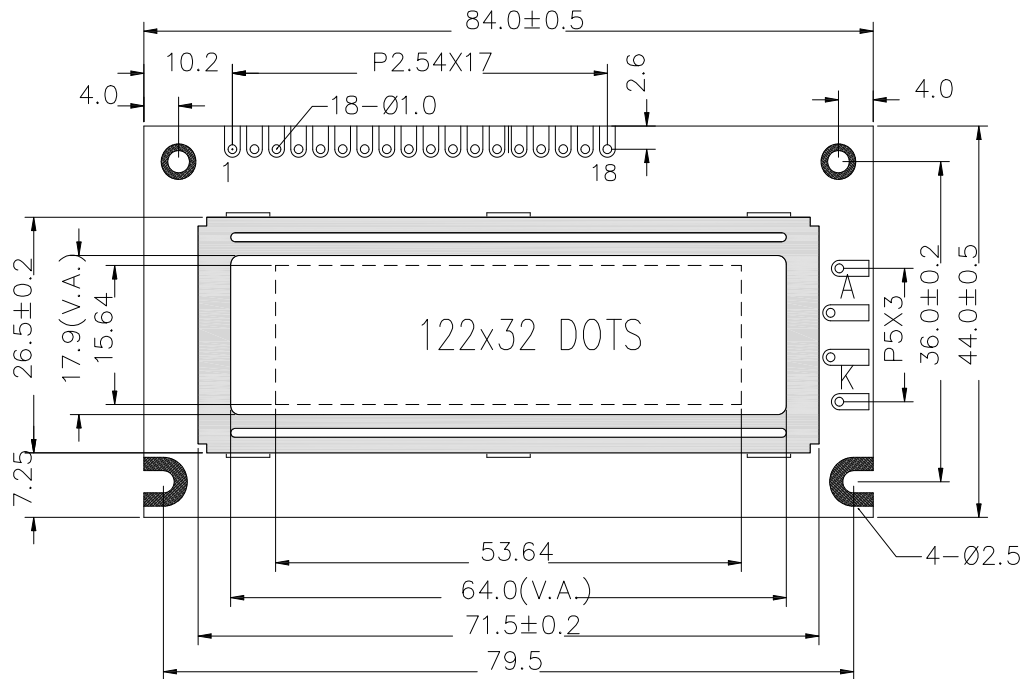
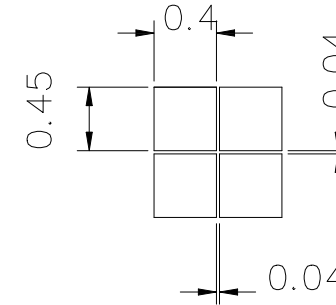


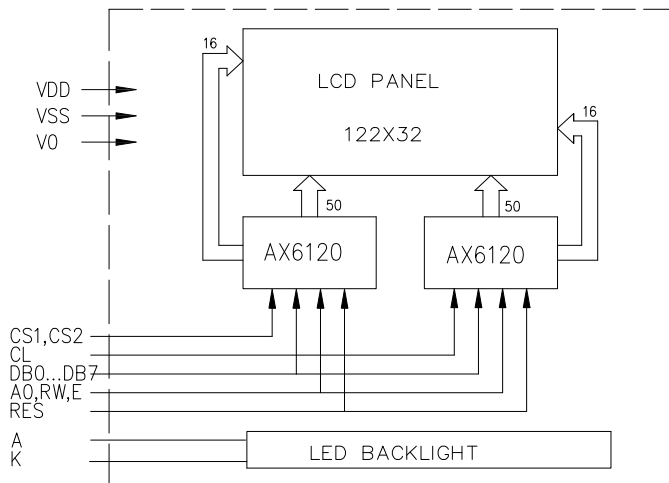
Pin	Symbol
1	VSS
2	VDD
3	V0
4	A0
5	CS1
6	CS2
7	CL
8	E
9	RW
10~17	DB0~DB7
18	RES
19	A
20	K



### DOTS DETAIL



### Block diagram



### Feature

- 122 dots X 32 dots matrix.
- Built-in controller( SED1520DAA or AX6120DAA )
- Interface with 8-bit
- 1/32 Duty cycle, 1/6 Bias.
- Display Mode & Backlight Variations.
- ROHS Compliant

### Mechanical thickness

LCD module	T1	T2	Unit
Without or EL	5	10	mm
Edge backlight	9.4	15	mm
Bottom backlight	9.4	15	mm

### Mechanical data

Item	Standard	Unit
Module size	84.0X44.0	mm
View area	64.0X17.9	mm
Dot size	0.40X0.45	mm
Area size	53.64X15.64	mm

### Maximum Absolute Power Ratings

Item	Symbol	Standard			Unit
		Min	Typ	Max	
Input voltage	V <sub>DD</sub>	-0.3	---	5.5	V
Power supply	V <sub>in</sub>	-0.3	---	V <sub>DD</sub>	

### Electronical characteristics

Item	Symbol	Condition	Standard			Unit
			Min	Typ	Max	
Operating voltage	V <sub>DD</sub>	V <sub>DD</sub> =5.0V	4.5	---	5.5	V
Operating current	I <sub>DD</sub>	V <sub>DD</sub> =5.0V	---	2	---	mA
Recommended LCD driving voltage for normal temp module	V <sub>LCD</sub>	T <sub>A</sub> =+25 °C	---	4.3	---	V
		T <sub>A</sub> =0 °C	---	4.5	---	
		T <sub>A</sub> =-20 °C	---	4.8	---	
Backlight voltage	V <sub>LED</sub>	Y-G	---	4.2	---	V
Backlight current	I <sub>LED</sub>	V <sub>LED</sub> =4.2V	---	120	---	mA
Operating temperature	T <sub>o</sub>	---	-20	---	70	°C
Storage temperature	T <sub>s</sub>	---	-30	---	80	