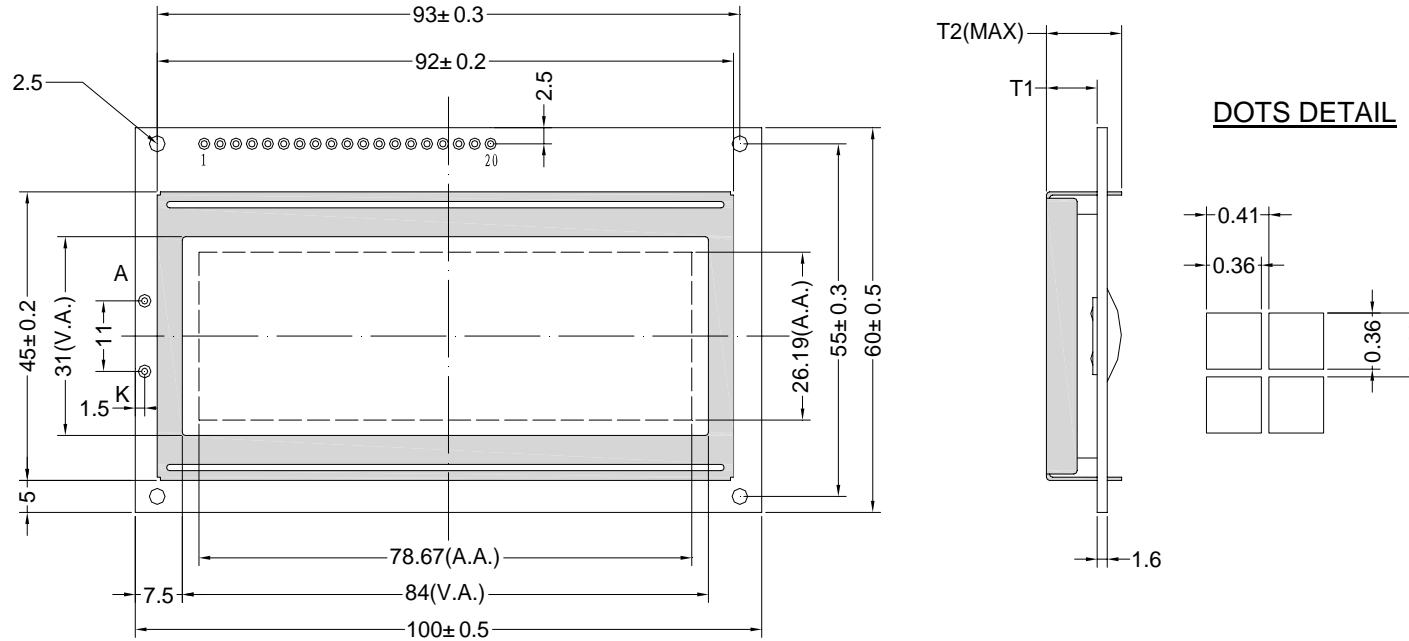
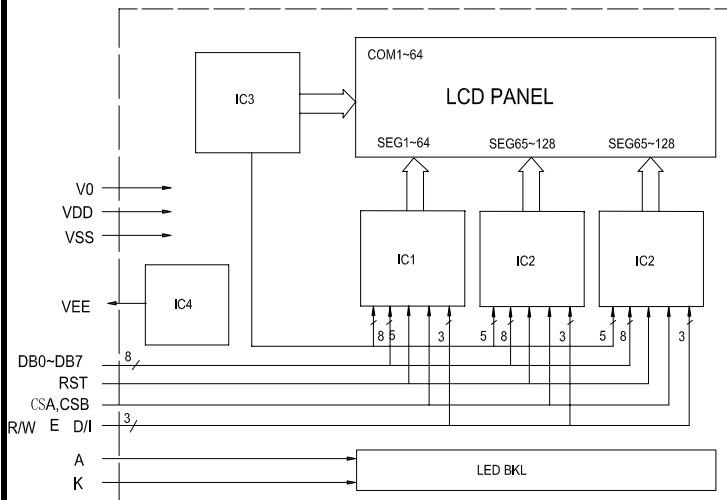


| Pin | Symbol |
|------|---------|
| 1 | CSA |
| 2 | CSB |
| 3 | VSS |
| 4~11 | VDD |
| 12 | V0 |
| 13 | RS |
| 14 | RW |
| 15 | E |
| 16 | DB0~DB7 |
| 17 | RST |
| 18 | VEE |
| 19 | A |
| 20 | K |



Block diagram



Feature

- 192dots X 64dots matrix.
- Built-in controller (S6B0108)
- Interface with 8-bit ;5V power supply
- 5V;1/64Duty cycle, 1/9Bias.
- Display Mode & Backlight Variations.
- ROHS Compliant

Mechanical thickness

| LCD module | T1 | T2 | Unit |
|------------------|-----|------|------|
| Without or EL | 5.4 | 9.0 | mm |
| Edge backlight | 6.2 | 10.0 | mm |
| Bottom backlight | 8.8 | 12.5 | mm |

Mechanical data

| Item | Standard | Unit |
|-------------|-------------|------|
| Module size | 100.0X60.0 | mm |
| View area | 84.0X31.0 | mm |
| Dot size | 0.36X0.36 | mm |
| Area size | 78.67X26.19 | mm |

Maximum Absolute Power Ratings

| Item | Symbol | Standard | | | Unit |
|---------------|-----------------|----------|-----|-----------------|------|
| | | Min | Typ | Max | |
| Input voltage | V _{DD} | -0.3 | --- | 5.5 | V |
| Power supply | V _{in} | -0.3 | --- | V _{DD} | |

Electronical characteristics

| Item | Symbol | Condition | Standard | | | Unit |
|--|------------------|------------------------|----------|------|-----|------|
| | | | Min | Typ | Max | |
| Operating voltage | V _{DD} | V _{DD} =5.0V | 4.5 | --- | 5.5 | V |
| Operating current | I _{DD} | V _{DD} =5.0V | --- | 7.2 | 8 | mA |
| Recommended LCD driving voltage for normal temp module | V _{LCD} | T _A =+25 | --- | 13.5 | --- | V |
| | | T _A =0 | --- | 13.8 | --- | |
| | | T _A =-20 | --- | 14.1 | --- | |
| Backlight voltage | V _{LED} | Y-G | --- | 4.2 | --- | V |
| Backlight current | I _{LED} | V _{LED} =4.2V | --- | 450 | --- | mA |
| Operating temperature | T _o | --- | -20 | --- | 70 | |
| Storage temperature | T _s | --- | -30 | --- | 80 | |