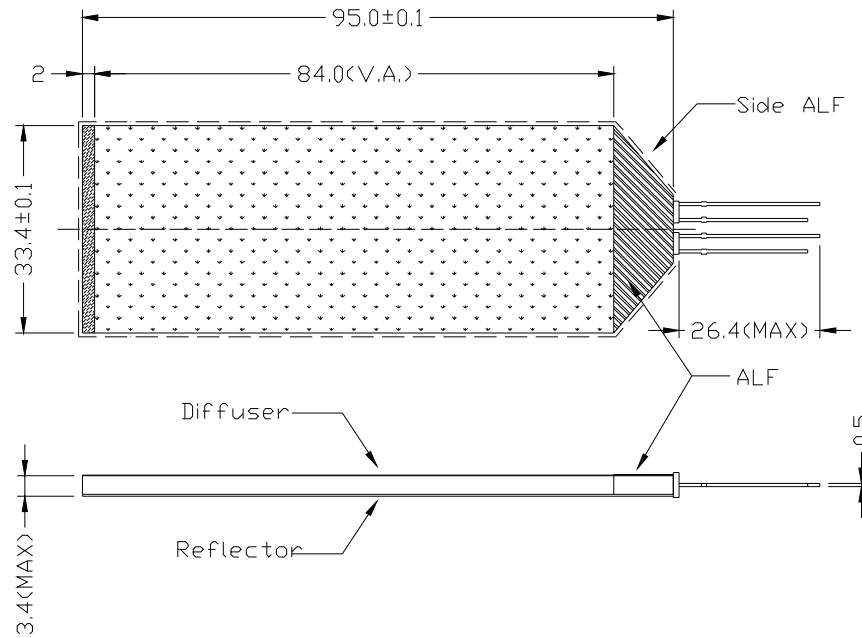


1、 Mechanical Outline(Unspecified Tolerances is: $\pm 0.3\text{mm}$) Color: White



2、 Lamps: 1 x 2 = 2

3、 Storage & Soldering Conditions:

- l Store with care. Storing the units in bad condition will cause the reflector sheet and decrease it's adhesive power. Storage the products under the condition: temperature ($25^{\circ}\text{C} \pm 10^{\circ}\text{C}$) and humidity ($65^{\circ}\text{CRH} \pm 20^{\circ}\text{CRH}$) our recommendation.
- l The soldering Temperature is $260 \pm 5^{\circ}\text{C}$ and Soldering Time should be less than 3 sec, and soldering iron power should be less than 30W.
- l The soldering point should be farther than 1.6mm from body.

4、 ABSOLUTE MAXIMUM RATINGS (Single Lamp)
(Unless specified, The Ambient temperature $T_a = 25^{\circ}\text{C}$)

Item	Symbol	Condition	Rating	Unit
Absolute maximum forward current	Ifm		30	mA
Peak forward current	Ifp	1 msec Plus 10% Duty Cycle	50	mA
Reverse Voltage	Vr		5	V
Power dissipation	Pd		100	mW
Operating Temperature Range	Topr		$-20 \sim +70$	$^{\circ}\text{C}$
Storage Temperature Range	Tstg		$-20 \sim +75$	$^{\circ}\text{C}$

5、ELECTRICAL-OPTICAL CHARACTERISTICS (Single Lamp)
 (Unless specified, The Ambient temperature $T_a=25^{\circ}\text{C}$)

Item	Symbol	Min.	Typ.	Max.	Unit	Condition
Forward Current	If	15	20	25	mA	$V_f=3.3\text{V}$
Forward Voltage	V_f	3.0	3.3	3.6	V	$I_f=20\text{mA}$
Reverse Current	I_r			10	μA	$V_r=5\text{V}$
Luminance (Without Glass)	L_v	56	66	75	cd/m^2	$I_f=20\text{mA}$

6、Chromaticity Coordinates

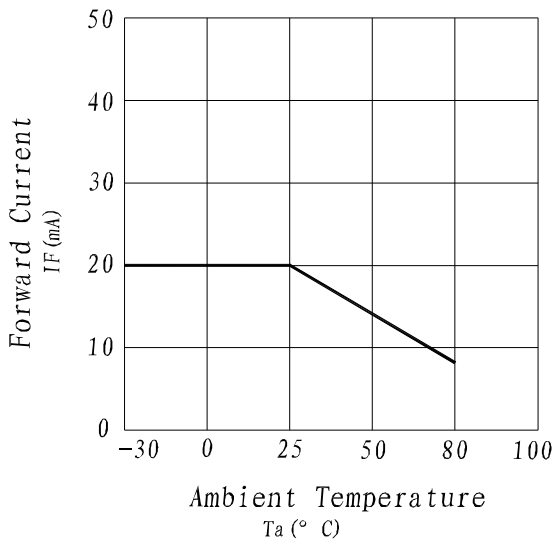
Item	Symbol	Min.	Typ.	Max.	Unit	Condition
Typical x	x		0.27			$I_f=20\text{mA}$
Typical y	y		0.27			$I_f=20\text{mA}$

7、STATIC ELECTRICITY AND SURGE

- ⓘ Static electricity and surge will damage the LEDs. It is recommended to use a wrist band or anti-electrostatic glove when handling the LEDs.
- ⓘ All devices, equipment and machinery must be properly grounded.

8、LED Electrical Characteristics

Forward Current VS. Ambient Temperature



Relative Intensity VS. Ambient Temperature

