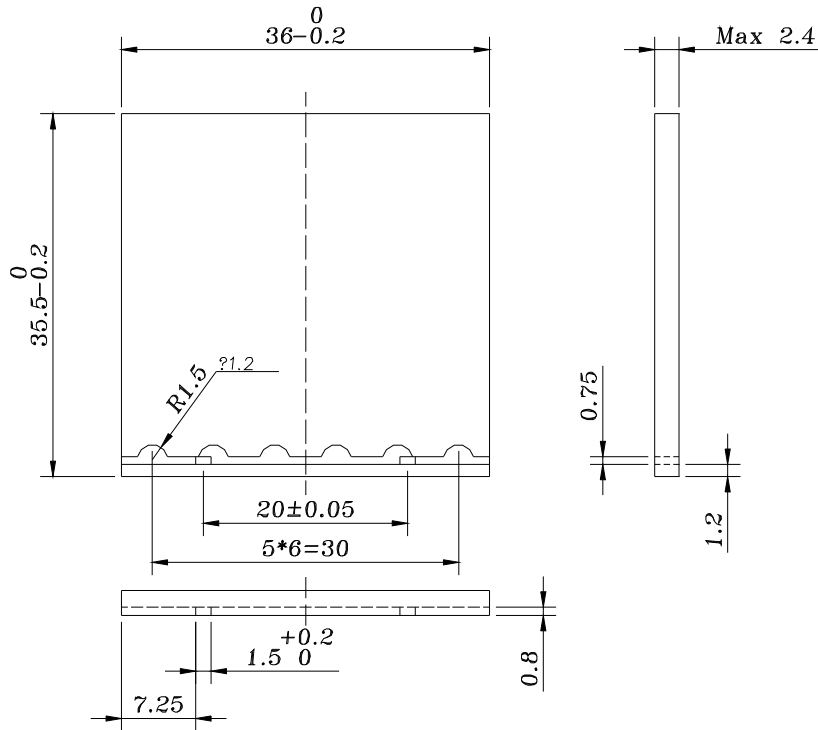
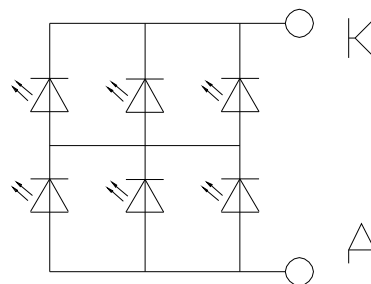


1、Mechanical Outline(Unspecified Tolerances is: $\pm 0.3\text{mm}$) Color: Yellow Green



2、Circuit: 2 x 3 = 6



3、Storage & Soldering Conditions:

- I Store with care. Storing the units in bad condition will cause the reflector sheet and decrease it's adhesive power. Storage the products under the condition: temperature ($25^{\circ}\text{C} \pm 10^{\circ}\text{C}$) and humidity ($65^{\circ}\text{CRH} \pm 20^{\circ}\text{CRH}$) our recommendation.
- I The soldering Temperature is $260 \pm 5^{\circ}\text{C}$ and Soldering Time should be less than 3 sec, and soldering iron power should be less than 30W.
- I The soldering point should be farther than 1.6mm from body.

4、ABSOLUTE MAXIMUM RATINGS

(Unless specified, The Ambient temperature $T_a=25^{\circ}\text{C}$)

Item	Symbol	Condition	Rating	Unit
Absolute maximum forward current	Ifm		45	mA
Peak forward current	Ifp	1 msec Plus 10% Duty Cycle	90	mA
Reverse Voltage	Vr		10	V
Power dissipation	Pd		190	mW
Operating Temperature Range	Topr		-20~+70	$^{\circ}\text{C}$
Storage Temperature Range	Tstg		-20~+75	$^{\circ}\text{C}$

5、ELECTRICAL-OPTICAL CHARACTERISTICS

(Unless specified, The Ambient temperature $T_a=25^{\circ}\text{C}$)

Item	Symbol	Min.	Typ.	Max.	Unit	Condition
Forward Current	If	20	30	40	mA	$V_f=4.2\text{V}$
Forward Voltage	V_f	4.0	4.2	4.4	V	$I_f=30\text{mA}$
Reverse Current	I_r			30	μA	$V_r=10\text{V}$
Luminance (Without Glass)	L_v		70		Cd/m^2	$I_f=30\text{mA}$
Peak Wave Length	λ_p	568	570	572	cd/m^2	$I_f=30\text{mA}$