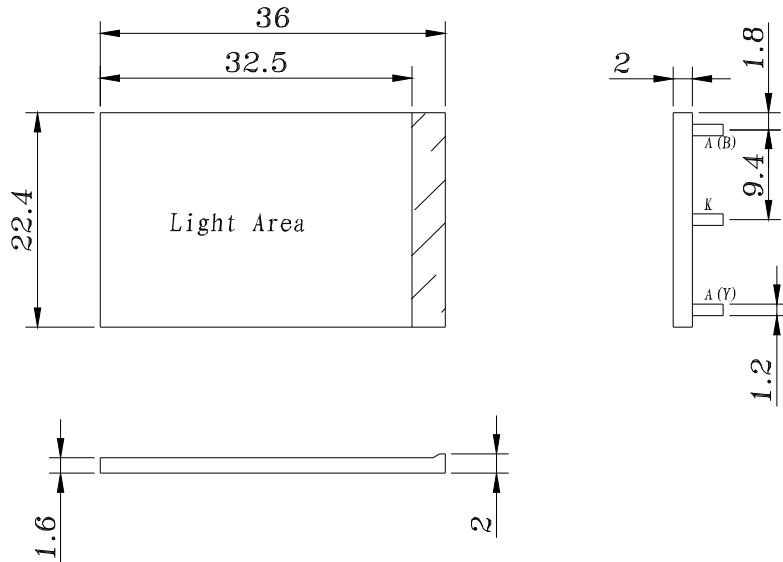
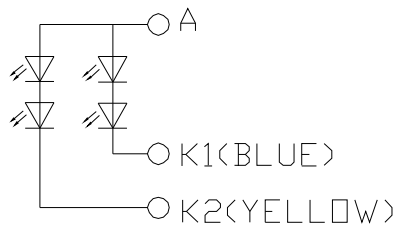


1、 Mechanical Outline(Unspecified Tolerances is:  $\pm 0.3\text{mm}$ ) Color: White



2、 Circuit: 1 x 2 = 2



3、 Storage & Soldering Conditions:

- I Store with care. Storing the units in bad condition will cause the reflector sheet and decrease it's adhesive power. Storage the products under the condition: temperature ( $25^{\circ}\text{C} \pm 10^{\circ}\text{C}$ ) and humidity ( $65^{\circ}\text{CRH} \pm 20^{\circ}\text{CRH}$ ) our recommendation.
- I The soldering Temperature is  $260 \pm 5^{\circ}\text{C}$  and Soldering Time should be less than 3 sec, and soldering iron power should be less than 30W.
- I The soldering point should be farther than 1.6mm from body.

4、ABSOLUTE MAXIMUM RATINGS (Single Lamp)  
(Unless specified, The Ambient temperature Ta=25°C)

Item	Symbol	Condition	Rating		Unit
			Blue	Yellow	
Absolute maximum forward current	Ifm		50	40	mA
Peak forward current	Ifp	1 msec Plus 10% Duty Cycle	120	120	mA
Reverse Voltage	Vr		10	10	V
Power dissipation	Pd		150	100	mW
Operating Temperature Range	Topr		-20~+70		°C
Storage Temperature Range	Tstg		-25~+70		°C

5、ELECTRICAL-OPTICAL CHARACTERISTICS (Single Lamp)  
(Unless specified, The Ambient temperature Ta=25°C)

Item	Symbol	Blue			Yellow			Unit	Condition
		Min.	Typ.	Max.	Min.	Typ.	Max.		
Forward Current	Vf	3.0	3.3	3.6	1.8	1.9	2.0	Vf	If=30mA
Reverse Current	Ir			20			20	μA	Vr=10V
Luminance	Lv	40	50		40	50		mcd	If=30mA
Wave Length	λp	465	470	475	590	595	600	nm	If=30mA

6、STATIC ELECTRICITY AND SURGE

- l Static electricity and surge will damage the LEDs. It is recommended to use a wrist band or anti-electrostatic glove when handling the LEDs.
- l All devices, equipment and machinery must be properly grounded.