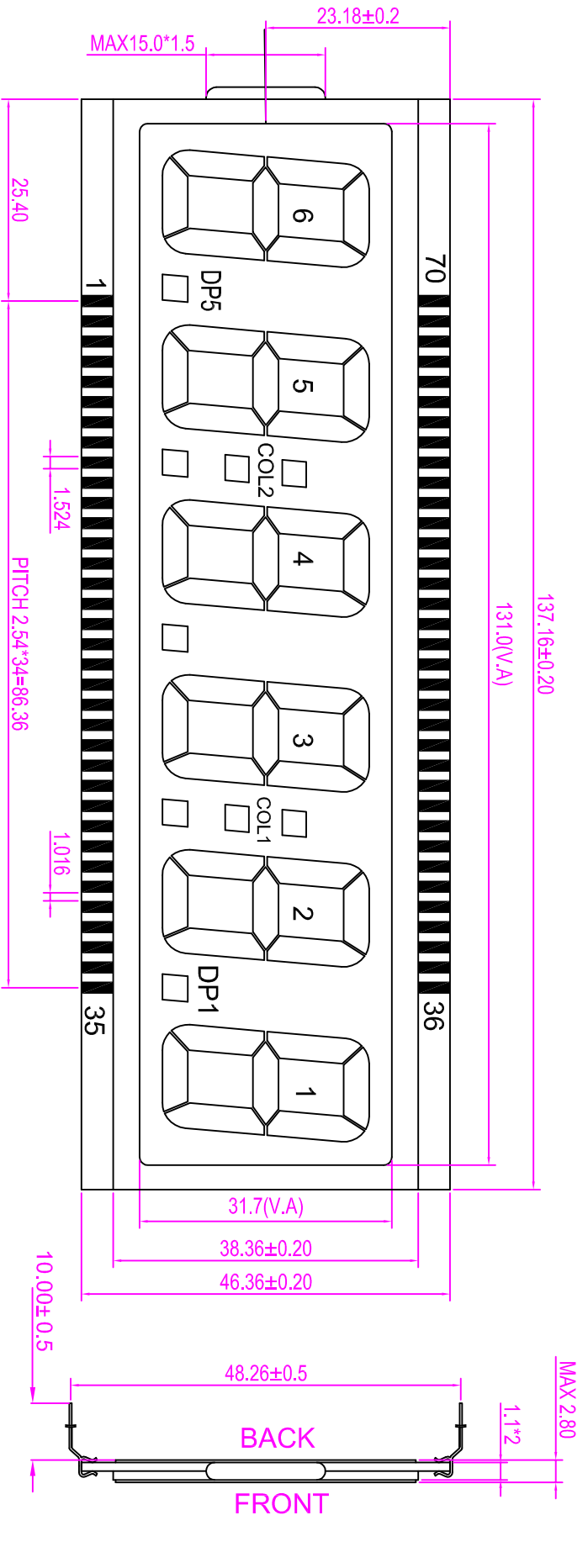
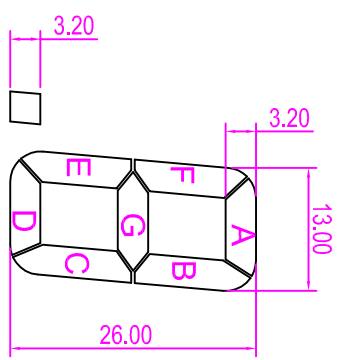


| REV | DESCRIPTION: | DATE |
|-----|--------------|------|
| 1.0 | | |



| | | | | | | | | | | | | | | | | | | | | | | | | | |
|------|------|----|----|----|-----|----|----|----|-----|----|----|----|----|----|-----|----|------|----|----|----|----|-----|-----|-----|----|
| PIN | 1 | 2 | 3 | 4 | 5 | 6 | 7 | 8 | 9 | 10 | 11 | 12 | 13 | 14 | 15 | 16 | 17 | 18 | 19 | 20 | 21 | 22 | 23 | 24 | |
| COM1 | COM1 | 6E | 6D | 6C | DP5 | 5E | 5D | 5C | DP4 | 4E | 4D | 4C | 4B | 4A | 4F | 4G | COL2 | 5B | 5A | 5F | 5G | 6B | 6A | 6F | 6G |
| PIN | 25 | 26 | 27 | 28 | 29 | 30 | 31 | 32 | 33 | 34 | 35 | 36 | 37 | 38 | 39 | 40 | 41 | 42 | 43 | 44 | 45 | 46 | 47 | 48 | |
| COM | DP2 | 2E | 2D | 2C | DP1 | 1E | 1D | 1C | 1B | 1A | 1F | 1G | 2B | 2A | 2F | 2G | COL1 | 3B | 3A | 3F | 3G | COM | COM | COM | |
| PIN | 49 | 50 | 51 | 52 | 53 | 54 | 55 | 56 | 57 | 58 | 59 | 60 | 61 | 62 | 63 | 64 | 65 | 66 | 67 | 68 | 69 | 70 | | | |
| COM | 3A | 3F | 3G | 4B | 4A | 4F | 4G | 5B | 5A | 5F | 5G | 6A | 6F | 6G | COM | | | | | | | | | | |



NOTES:

- 1.VIEWING ANGLE: 6:00 O'CLOCK
- 2.DISPLAY MODE:POSITIVE/TRANSPLECTIVE/TN TYPE
- 3.DRIVING VOLTAGE: 5.0V,STATIC FREQUENCY:64Hz
- 4.OPERATING TEMP.: -20°C TO 70°C
- 5.STORAGE TEMP.: -20°C TO 70°C
- 6.CONNECTOR:PIN TYPE

| | | | |
|---------------------|-----------|----------------------------------|------------|
| Model Name: FP1133P | | Xiamen Longtech Optics Co., Ltd. | |
| GENERAL TOL: ± 0.3 | APPROVALS | DATE | SCALE: 1:1 |
| DWN: YE:GUO:XIANG | CHK: | SIZE: A4 | UNIT: mm |
| APP: | | | Page: 1-1 |