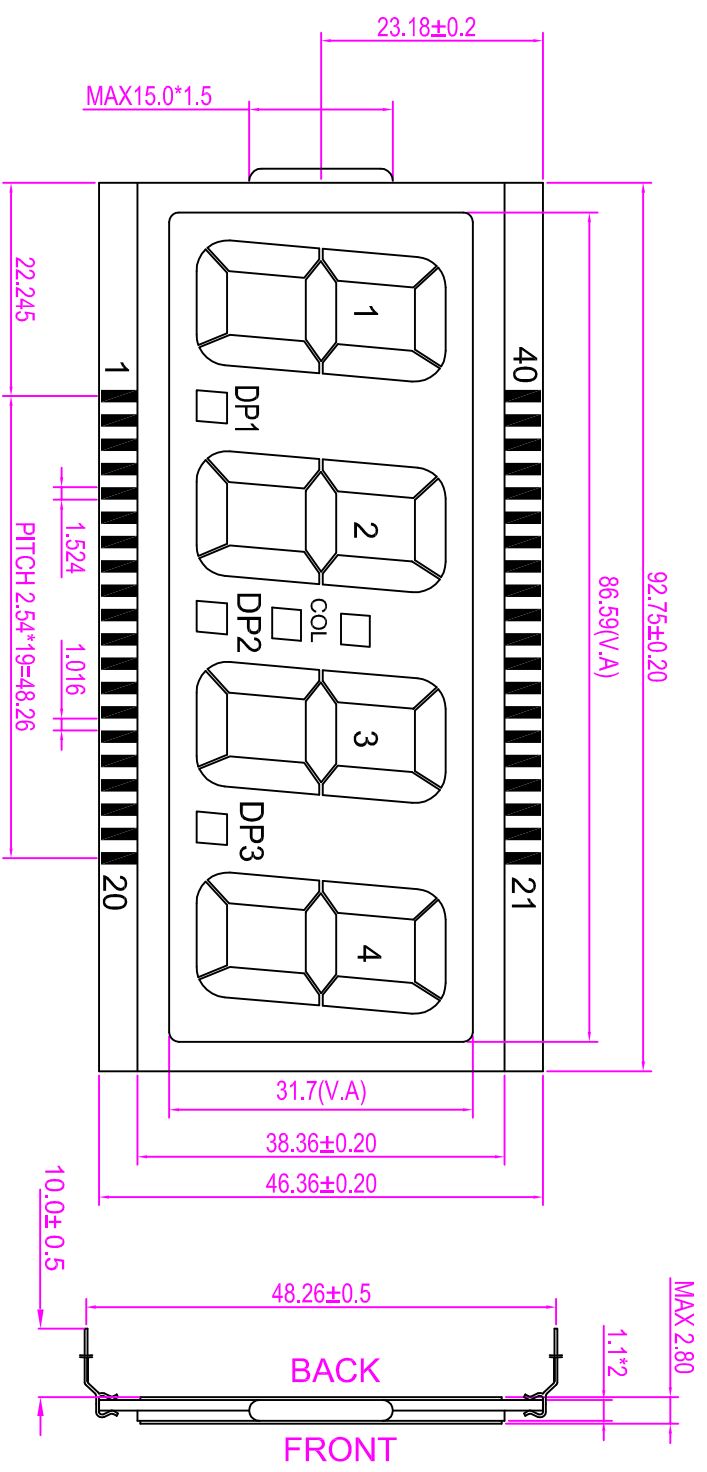
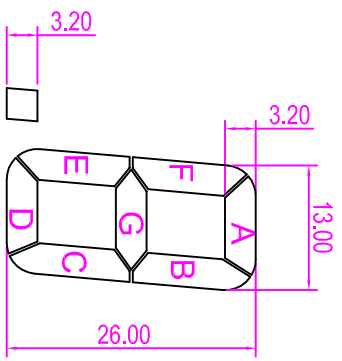


| | | |
|-----|--------------|------|
| REV | DESCRIPTION: | DATE |
| 1.0 | | |



| | | | | | | | | | | | | | | | | | | | | |
|-----|-----|----|----|----|----|----|----|-----|----|----|----|-----|----|----|----|-----|----|----|----|-----|
| PIN | 1 | 2 | 3 | 4 | 5 | 6 | 7 | 8 | 9 | 10 | 11 | 12 | 13 | 14 | 15 | 16 | 17 | 18 | 19 | 20 |
| COM | COM | | | | 1E | 1D | 1C | 1DP | 2E | 2D | 2C | 2DP | 3E | 3D | 3C | 3DP | 4E | 4D | 4C | 4B |
| PIN | 21 | 22 | 23 | 24 | 25 | 26 | 27 | 28 | 29 | 30 | 31 | 32 | 33 | 34 | 35 | 36 | 37 | 38 | 39 | 40 |
| COM | 4A | 4F | 4G | 3B | 3A | 3F | 3G | COL | 2B | 2A | 2F | 2G | | 1B | 1A | 1F | 1G | | | COM |



- NOTES:
- VIEWING ANGLE: 6:00 O'CLOCK
 - DISPLAY MODE: POSITIVE/TRANSPARENT/TN TYPE
 - DRIVING VOLTAGE: 5.0V, STATIC FREQUENCY: 64Hz
 - OPERATING TEMP: -30°C TO 80°C
 - STORAGE TEMP: -35°C TO 85°C
 - CONNECTOR: PIN TYPE

| | | | | | |
|----------------------|------|---------------------------|--|------------|-----------|
| Model Name: FP1200WP | | DRAWN NO. | | SCALE: 1:1 | |
| GENERAL TOL: ± 0.3 | DATE | Longtech Optics Co., Ltd. | | UNIT: mm | Page: 1-1 |
| APPROVALS | | | | | |
| DWNI: YE.GUO.XIANG | | | | | |
| CHK: | | | | | |
| APP: | | | | | |