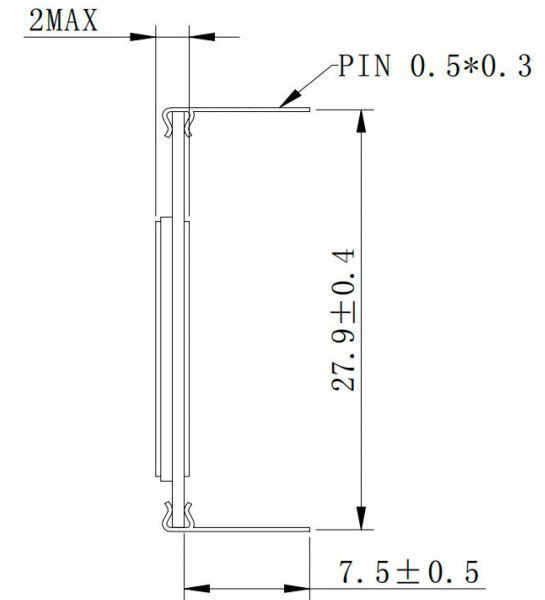
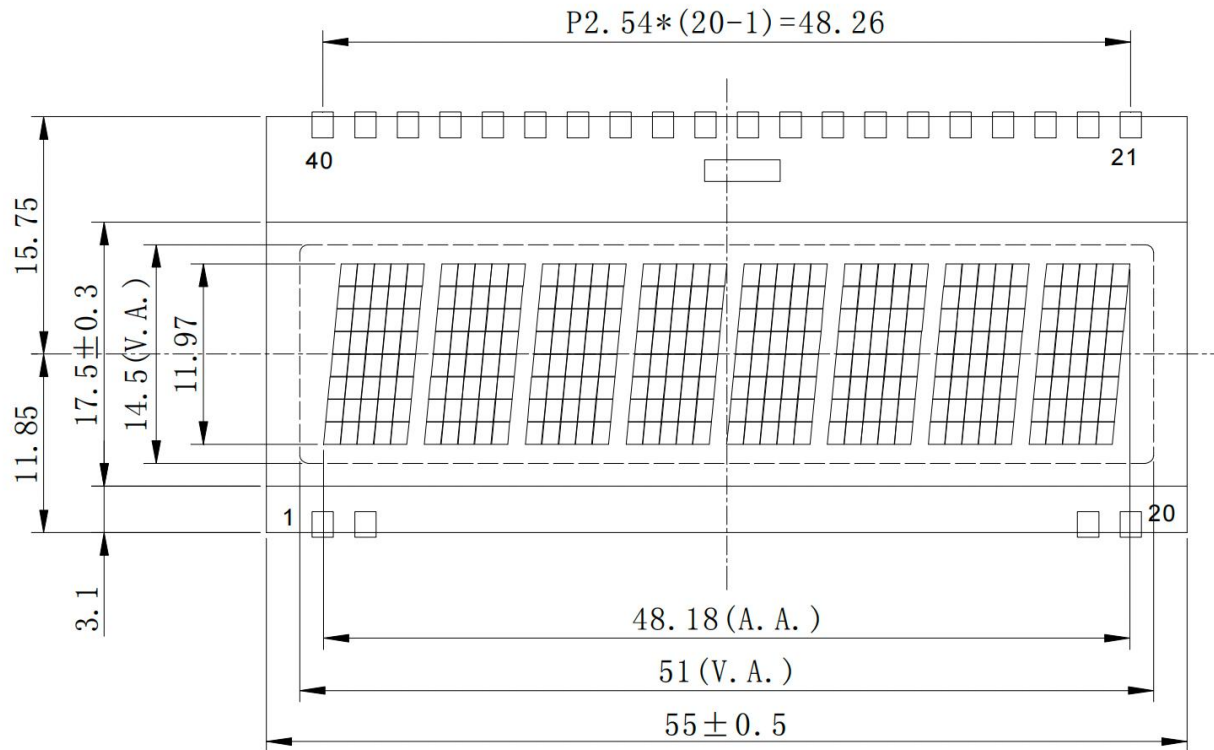


LONGTECH - LCC0801B



PIN CONNECTION

NO	SYMBOL
1	A1
2	C1
3~18	NC
19	C2
20	A2
21	CAP1N
22	CAP1P
23	PSB
24	VOUT
25	VIN
26	VDD
27	VSS
28~35	D7~D0
36	E
37	R/W
38	CSB
39	RS
40	RESET

Notes:

- 1). Driver Method: 1/8duty, 1/4bias, VDD3.3V VLCD4.3V
- 2). Display Type: Positive/Transflective
- 3). Viewing Angle: 6:00
- 4). Operating Temp: -20° C~85° C
- 5). Storage Temp: -30° C~90° C
- 6). Driver: ST7036
- 7). RoHS Compliant