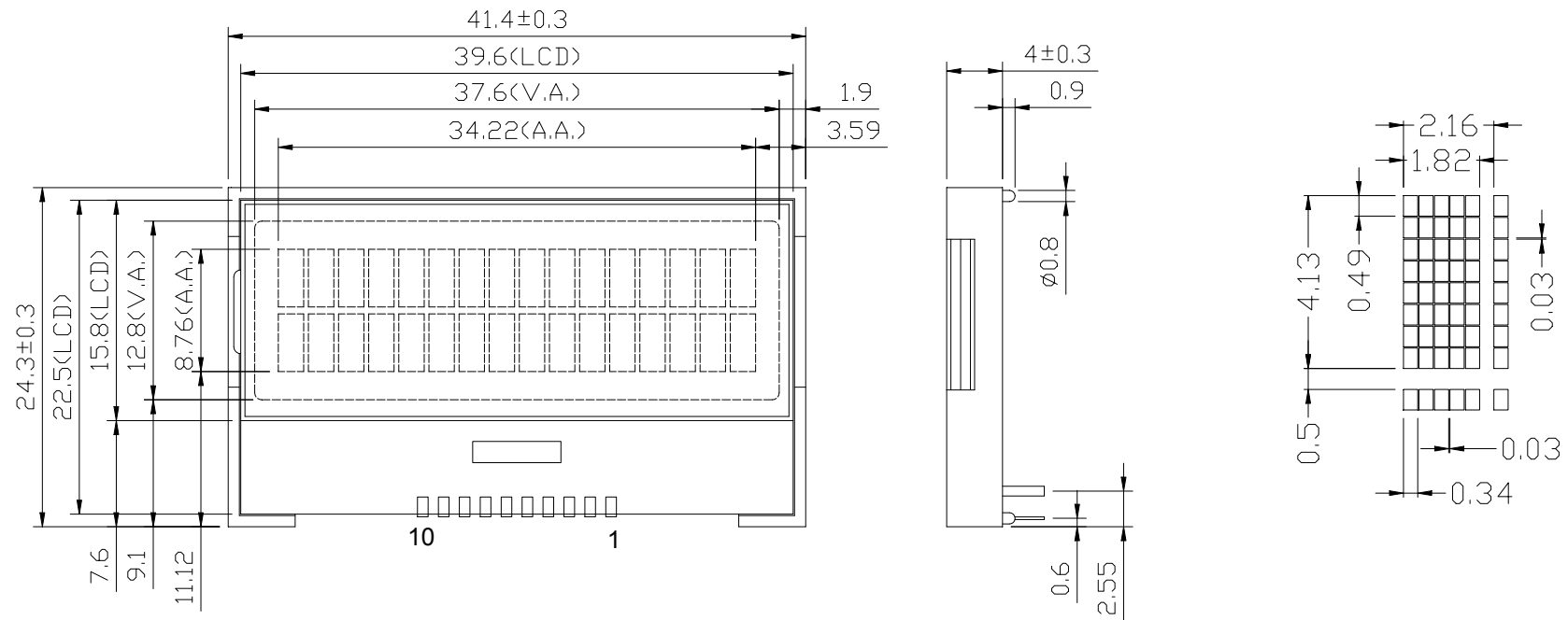


# LONGTECH - LCC1602C



## Feature

1. 16 Character x 2 line Character format; 5 x 7 dots + 1-Cursor line.
2. The LCD uses the ST7032 Series LCD Driver from Sitronix ,or equivalent controller.
3. Interface With 4-bit or 8-bit MPU, 1/16 Duty cycle, 1/5 Bias.
4. Display Mode & Backlight Variations.
5. ROHS compliant.

## Pin connections

Pin no	1	2	3	4	5	6	7	8	9	10
Symbol	RESET	RS	CSB	SCL	SI	VSS	VDD	VOU	C1+	C1-