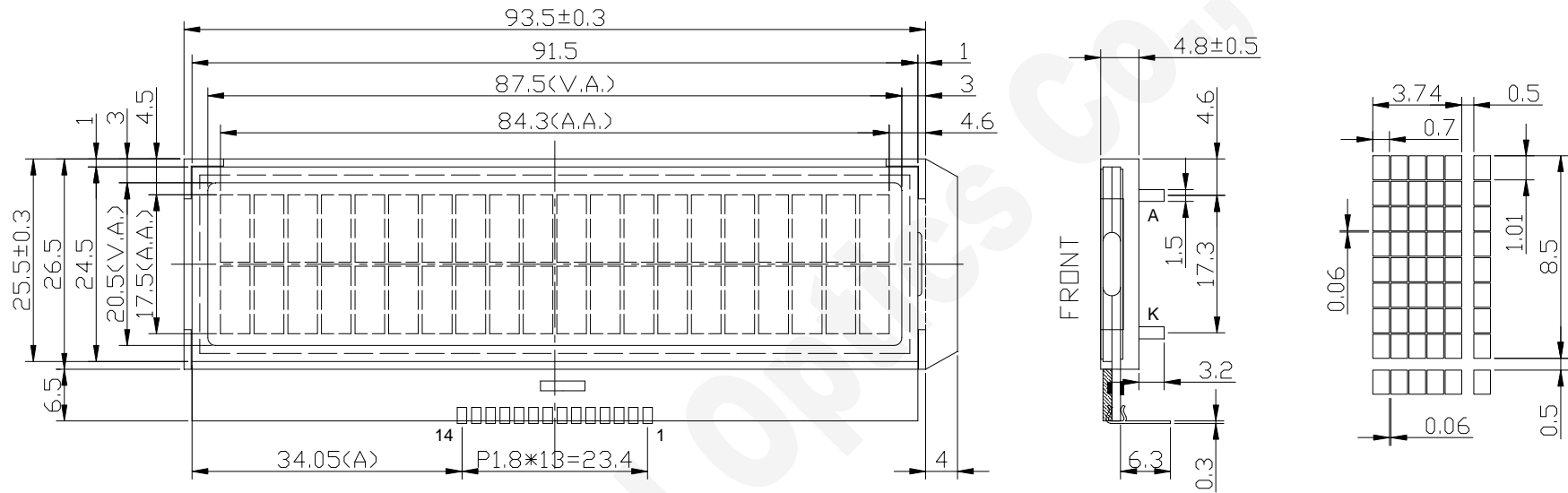


# LCC2002C



## Feature

1. 20 Character x 2 line Character format; 5 x 7 dots + 1-Cursor line.
2. The LCD uses the ST7036I Series LCD Driver from Sitronix ,or equivalent controller.
3. Interface With 4-bit SPI, 1/16 Duty cycle, 1/5 Bias.
4. Display Mode & Backlight Variations.
5. ROHS compliant.

## Pin connections

Pin no	1	2	3	4	5	6	7	8	9	10	11	12	13	14
Symbol	RS	R/W	E	DB0	DB1	DB2	DB3	DB4	DB5	DB6	DB7	VSS	VDD	V0