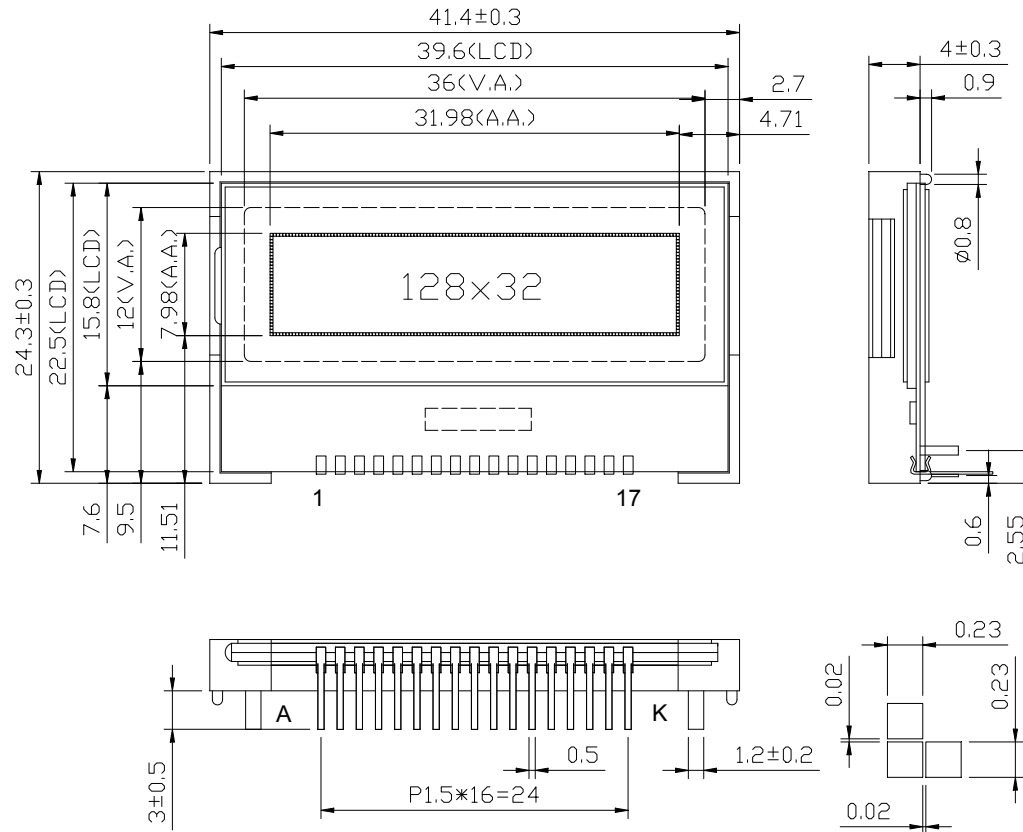


LONGTECH - LGC12832A1



Feature

1. 128 x 32 dots matrix graphic;
2. The LCD uses the ST7565 Series LCD Driver from Sitronix ,or equivalent controller.
3. 1/33 Duty cycle, 1/6 Bias.
4. Display Mode & Backlight Variations.
5. ROHS compliant.

Pin connections

Pin no	1	2	3	4	5	6	7	8	9	10	11	12	13	14	15	16	17
Symbol	V0	V1	V2	V3	V4	C2-	C2+	C1+	C1-	VOUT	VSS	VDD	SDA	SCL	A0	RST	CS1B