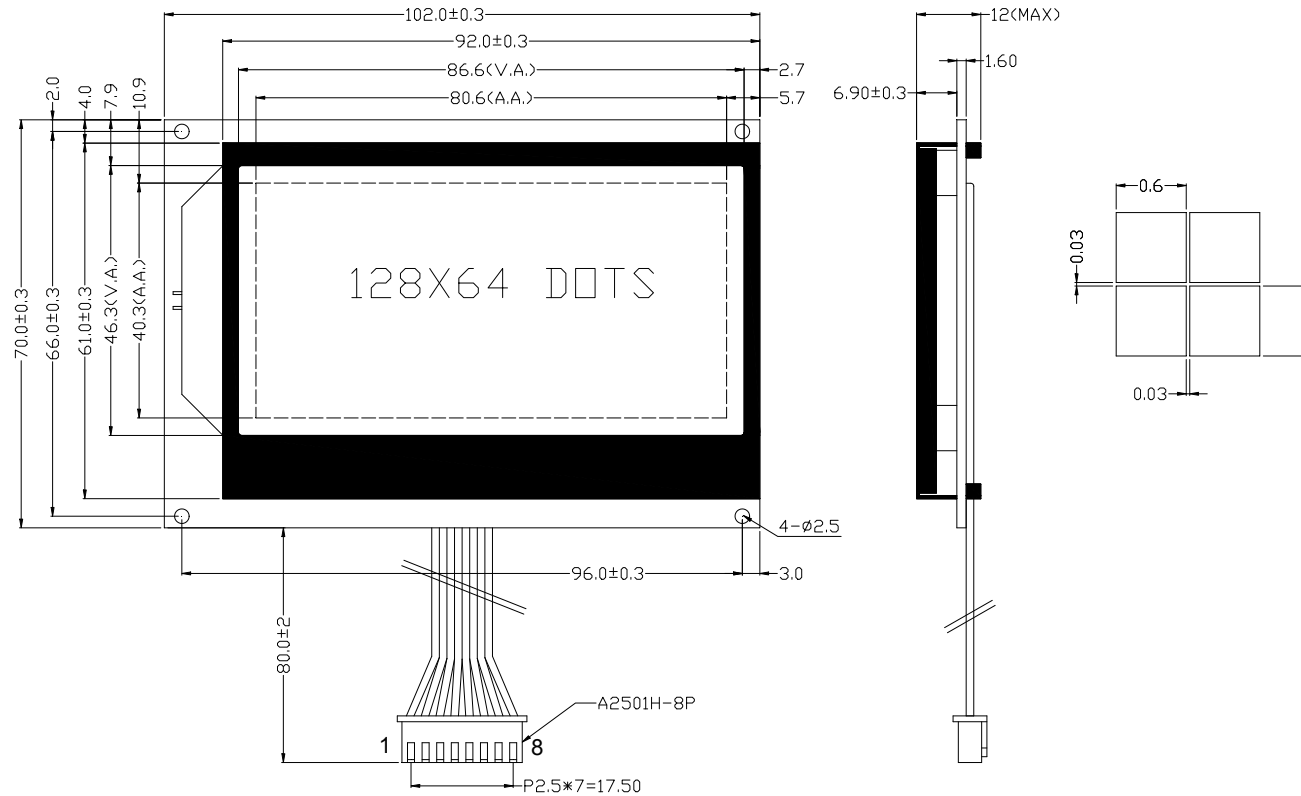


LONGTECH - LGC12864E



Feature

1. 128 x 64 dots matrix graphic;
2. The LCD uses the ST7565P Series LCD Driver from Sitronix ,or equivalent controller.
3. 1/64 Duty cycle, 1/9 Bias.
4. Display Mode & Backlight Variations.
5. ROHS compliant.

Pin connections

Pin no	1	2	3	4	5	6	7	8
Symbol	/CS	/RES	D/C	SCL	SI	VDD	VSS	LED+