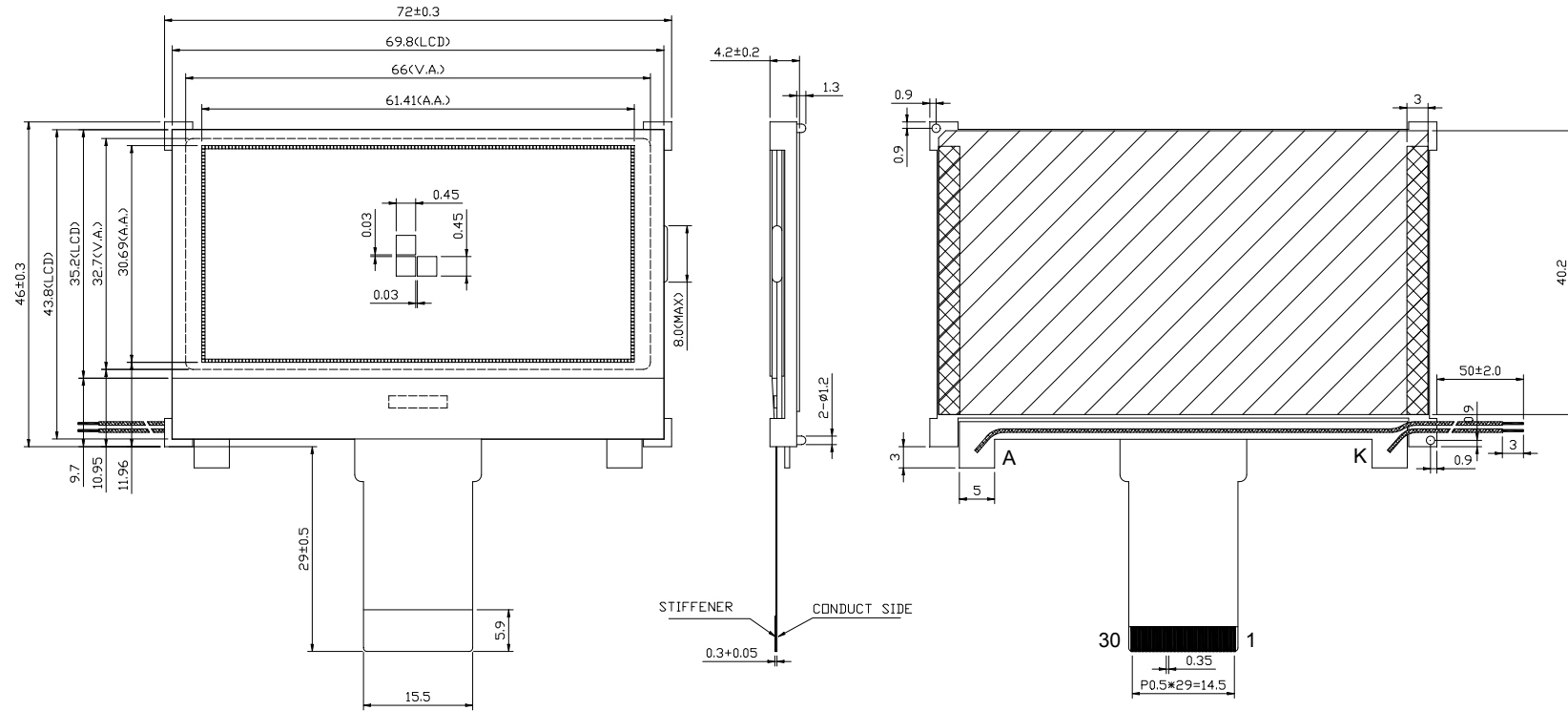


# LONGTECH - LGC12864J



## Feature

1. 128 x 64 dots matrix graphic;
2. The LCD uses the ST7565P Series LCD Driver from Sitronix ,or equivalent controller.
3. 1/64 Duty cycle, 1/9 Bias.
4. Display Mode & Backlight Variations.
5. ROHS compliant.

## Pin connections

Pin no	1	2~6	7	8	9	10	11	12	13	14	15	16	17	18~25	26	27	28	29	30
Symbol	VSS	V0~V4	C2-	C2+	C1+	C1-	C1-	C3+	VOU	VDD	VSS	PS	C86	D7~D0	RD/E	/WR/RW	RS/A0	/RESET	/CS1