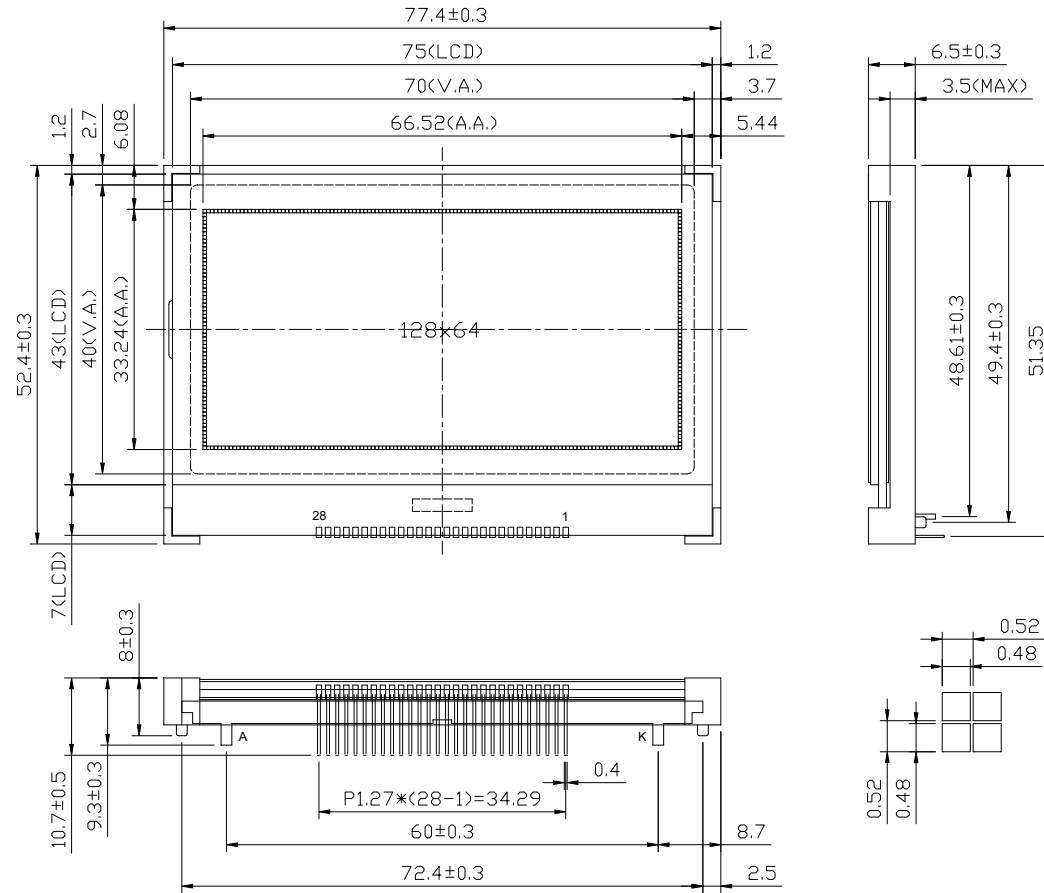


# LONGTECH - LGC12864L



## Feature

1. 128 x 64 dots matrix graphic;
2. The LCD uses the ST7565R Series LCD Driver from Sitronix ,or equivalent controller.
3. 1/64 Duty cycle, 1/9 Bias.
4. Display Mode & Backlight Variations.
5. ROHS compliant.

## Pin connections

Pin no	1	2	3	4	5	6~13	14	15	16	17	18	19	20	21	22~26	27	28
Symbol	CS1	/RES	A0	/WR	/RD	DB0~DB7	VDD	VSS	VOUT	CAP3P	CAP1N	CAP1P	CAP2P	CAP2N	V4~V0	C86	P/S