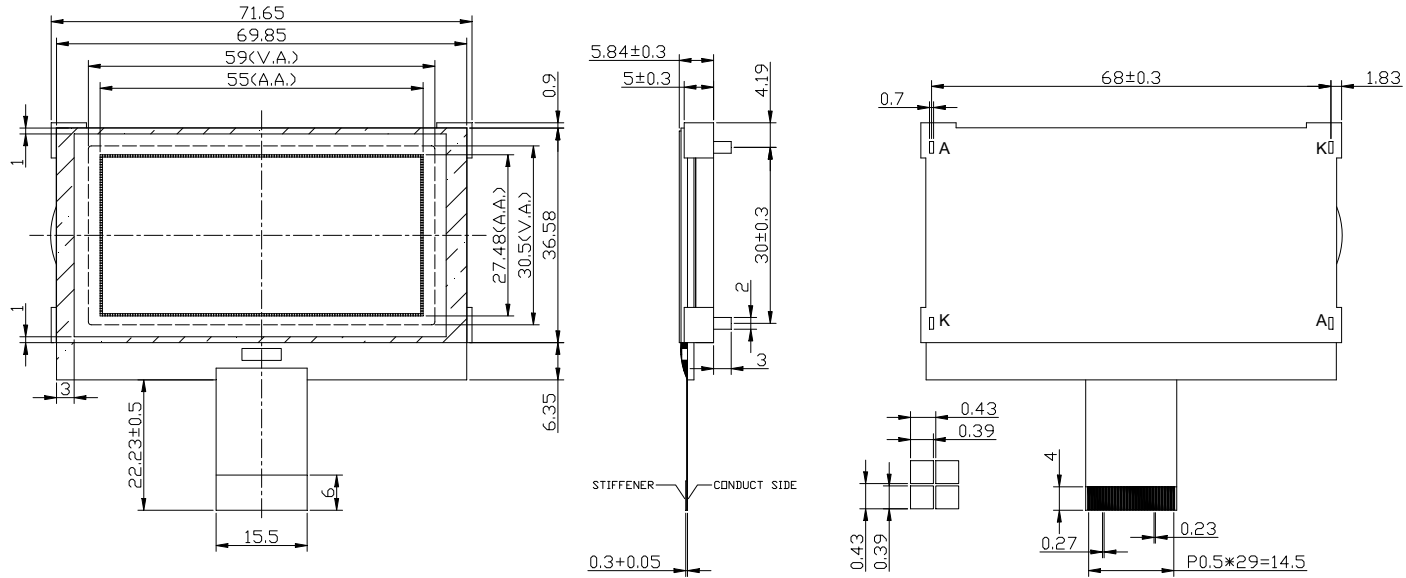


LONGTECH - LGC12864M1



Feature

1. 128 x 64 dots matrix graphic;
2. The LCD uses the SPLC501C Series LCD Driver from SUNPLUS ,or equivalent controller.
3. 1/64 Duty cycle, 1/9 Bias.
4. Display Mode & Backlight Variations.
5. ROHS compliant.

Pin connections

Pin no	1	2	3	4	5	6~11	12	13	14	15	16	17	18	19	20	21	22~26	27	28	29	30
Symbol	/CS1	/RES	A0	/WR	EP;/RD	DB0~DB5	DB6;SCL	DB7;SI	VDD	VSS	VOUT	CAP3-	CAP1+	CAP1-	CAP2-	CAP2+	V1~V5	VR	C86	PS	/IRS