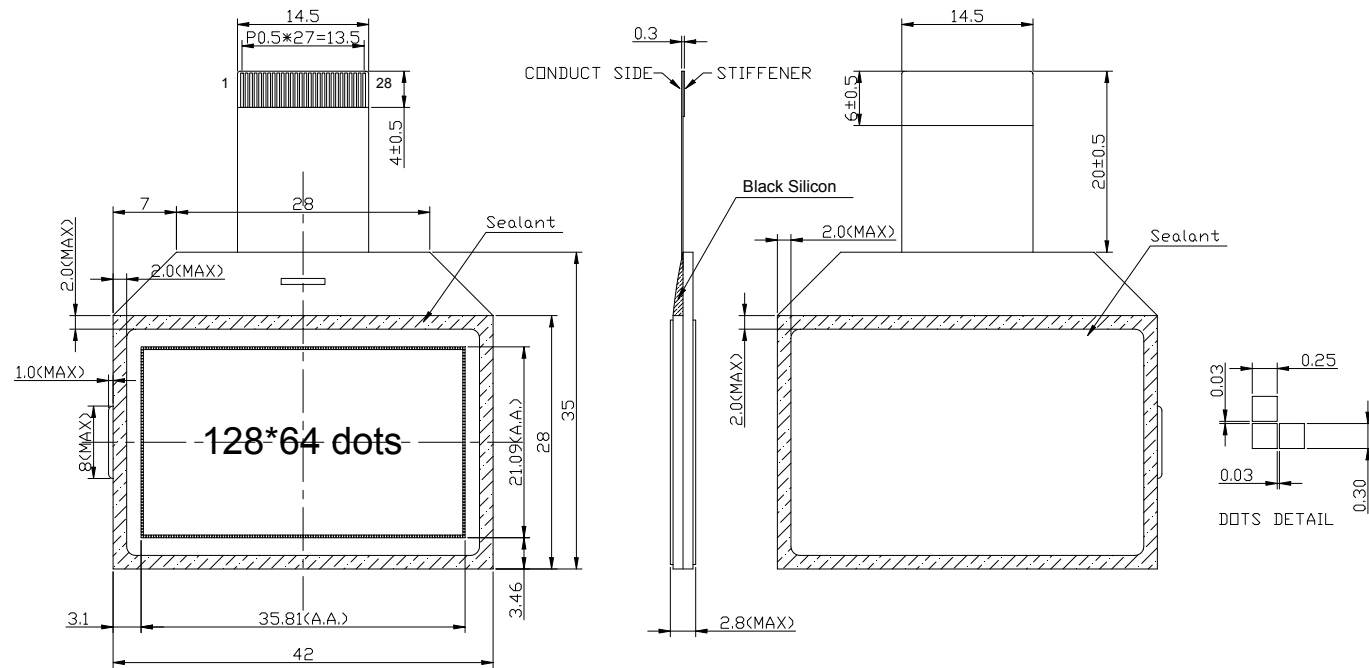


LONGTECH - LGC12864P



Feature

1. 128 x 64 dots matrix graphic;
2. The LCD uses the ST7565R Series LCD Driver from Sitronix ,or equivalent controller.
3. 1/65 Duty cycle, 1/9 Bias.
4. Display Mode & Backlight Variations.
5. ROHS compliant.

Pin connections

Pin no	1	2	3	4	5	6	7~14	15	16	17	18	19	20	21	22	23	24~28
Symbol	VSS	/CS1	/RST	A0	WR	RD	D0~D7	VSS	VDD	VOUT	C3+	C1-/C3-	C1+	C2+	C2-	NC	V4~V0