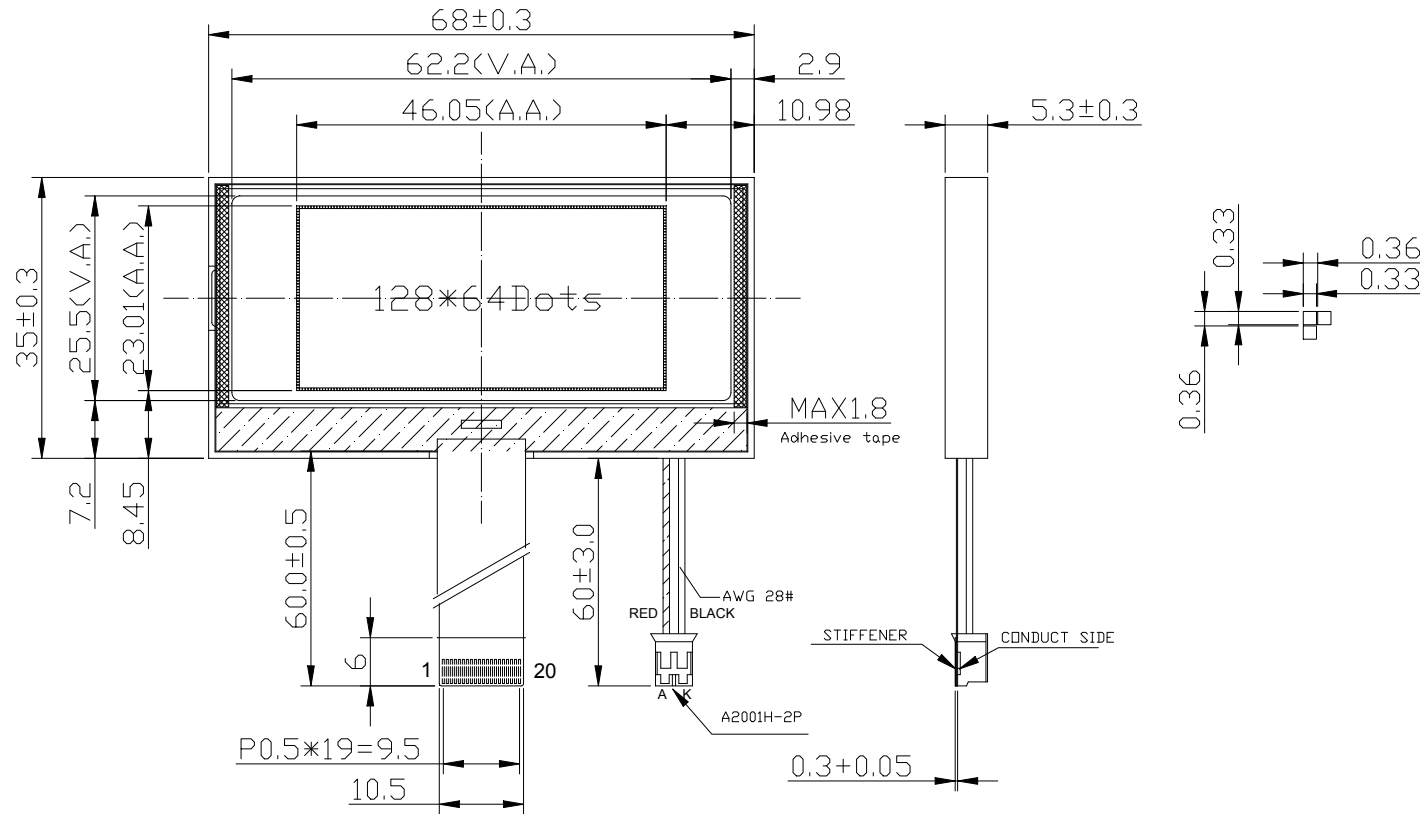


# LONGTECH - LGC12864U



## Feature

1. 128 x 64 dots matrix graphic;
2. The LCD uses the ST7567 Series LCD Driver from Sitronix ,or equivalent controller.
3. 1/64 Duty cycle, 1/9 Bias.
4. Display Mode & Backlight Variations.
5. ROHS compliant.

## Pin connections

Pin no	1	2	3	4	5	6	7	8~15	16	17	18	19	20
Symbol	PSB	C86	VG	XV0	V0	VSS	VDD	DB7~DB0	E/RD	R/W/RW	A0	RSTB	CSB