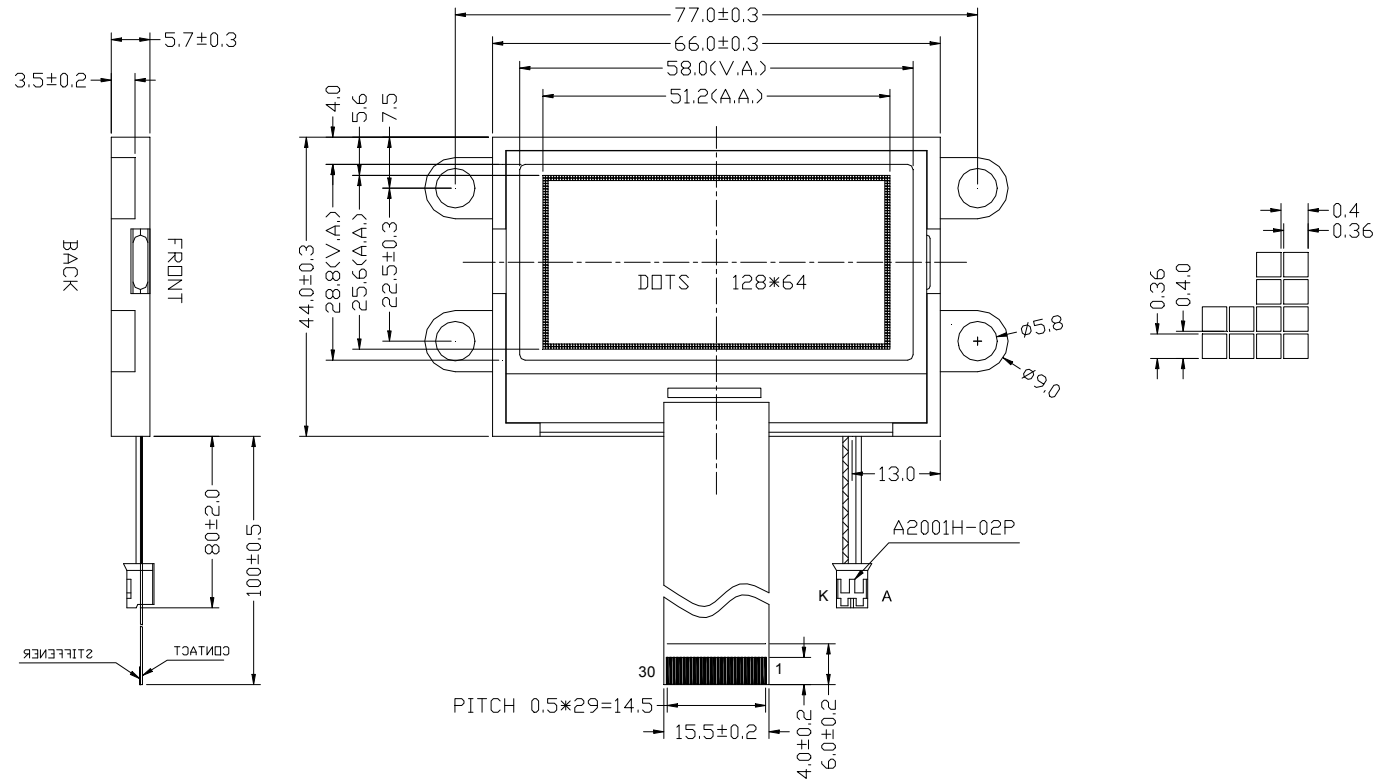


LONGTECH - LGC12864W



Feature

1. 128 x 64 dots matrix graphic;
2. The LCD uses the ST7565R Series LCD Driver from Sitronix ,or equivalent controller.
3. 1/64 Duty cycle, 1/9 Bias.
4. Display Mode & Backlight Variations.
5. ROHS compliant.

Pin connections

Pin no	1	2	3	4	5	6~11	12	13	14	15	16	17	18	19	20	21	22	23~27	28	29	30
Symbol	CS1B	/RES	A0	/WR	EP;/RD	DB0~DB5	DB6;SCL	DB7;SI	VSS	VOUT	C3+	C1-	C1+	C2+	C2-	VSS	VDD	V4~V0	VR	C86	PS