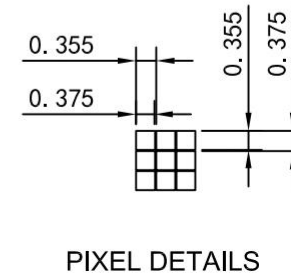
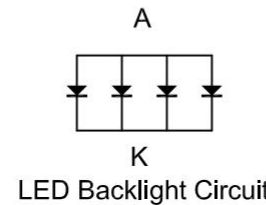
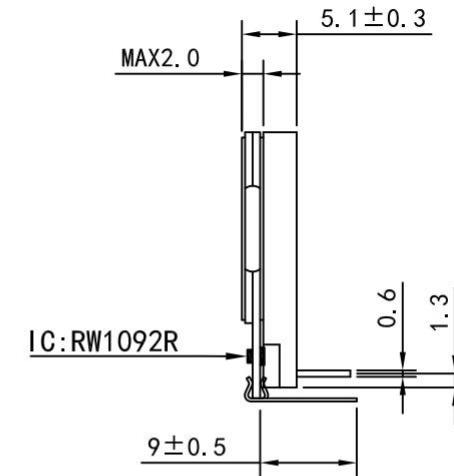
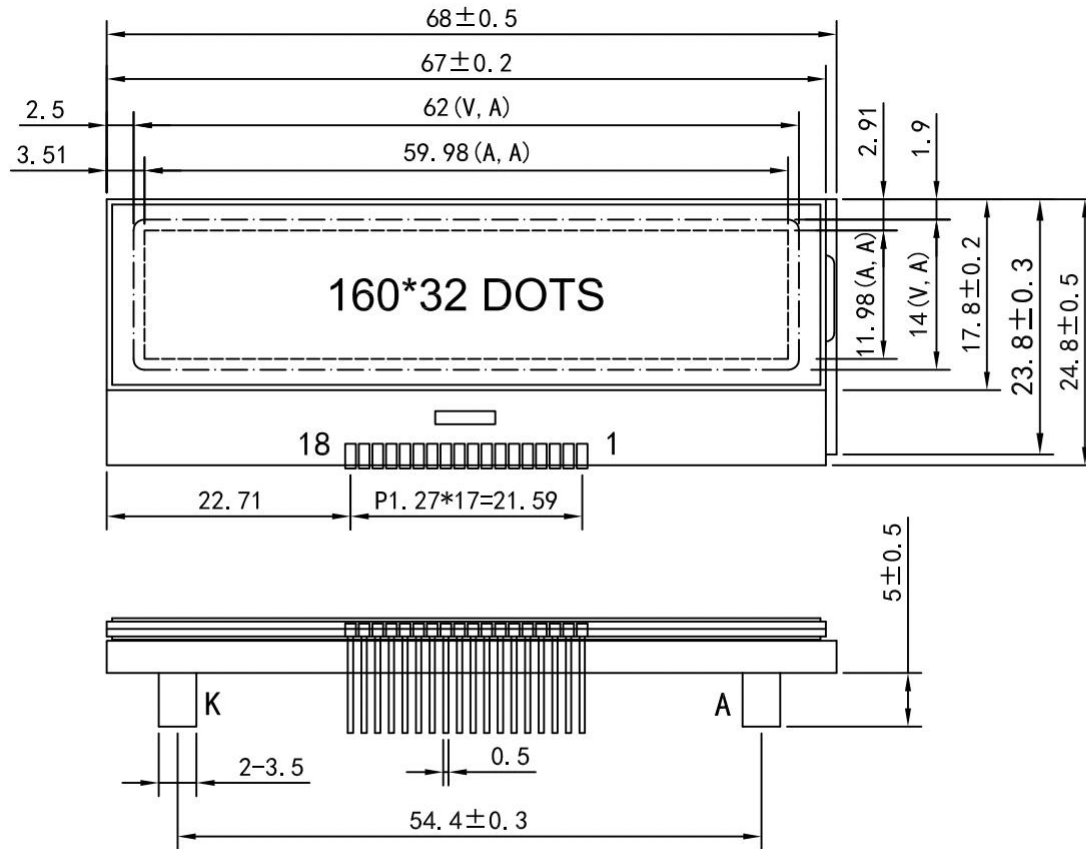


LONGTECH - LGC16032A



PIN CONNECTION

NO	SYMBOL
1	CS1B
2	RST
3	A0
4	SCLK
5	SDA
6	VDD
7	VSS
8	VOUT
9	CAP3P
10	CAP1N
11	CAP1P
12	CAP2P
13	CAP2N
14	V4
15	V3
16	V2
17	V1
18	V0

- VIEWING ANGLE: 6:00 O'CLOCK
- DISPLAY MODE: BTN, Negative, Transmissive
- DRIVING VOLTAGE: 3.3V, DUTY: 1/32, BIAS: 1/6, V_{lcd} : 10.0V
- OPERATING TEMP.: -20°C TO 70°C
- STORAGE TEMP.: -30°C TO 80°C
- CONNECTOR: COG+PIN (PIN TYPE)
- BACKLIGHT COLOR: WHITE LED
- RoHS Compliant