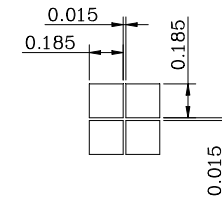
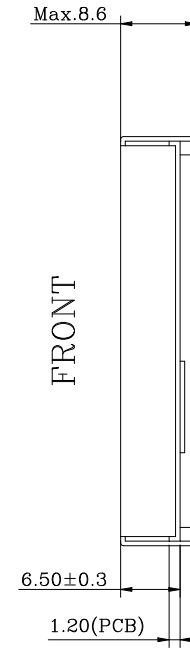
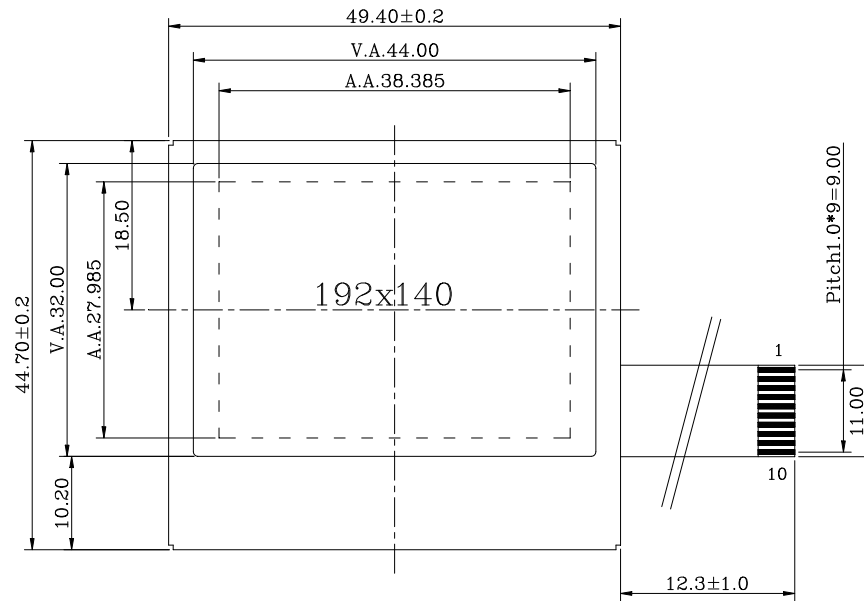


LONGTECH - LGC192140A



Feature

1. 192 x 140 dots matrix graphic;
2. The LCD uses the ST7529 Series LCD Driver from Sitronix ,or equivalent controller.
3. 1/140 Duty cycle, 1/13 Bias.
4. Display Mode & Backlight Variations.
5. ROHS compliant.

Pin connections

Pin no	1	2	3	4	5	6	7	8	9	10
Symbol	VDD	VSS	RST	A0/NC	SI	SCL	XCS	LED R(+)	LED G(+)	LED(-)