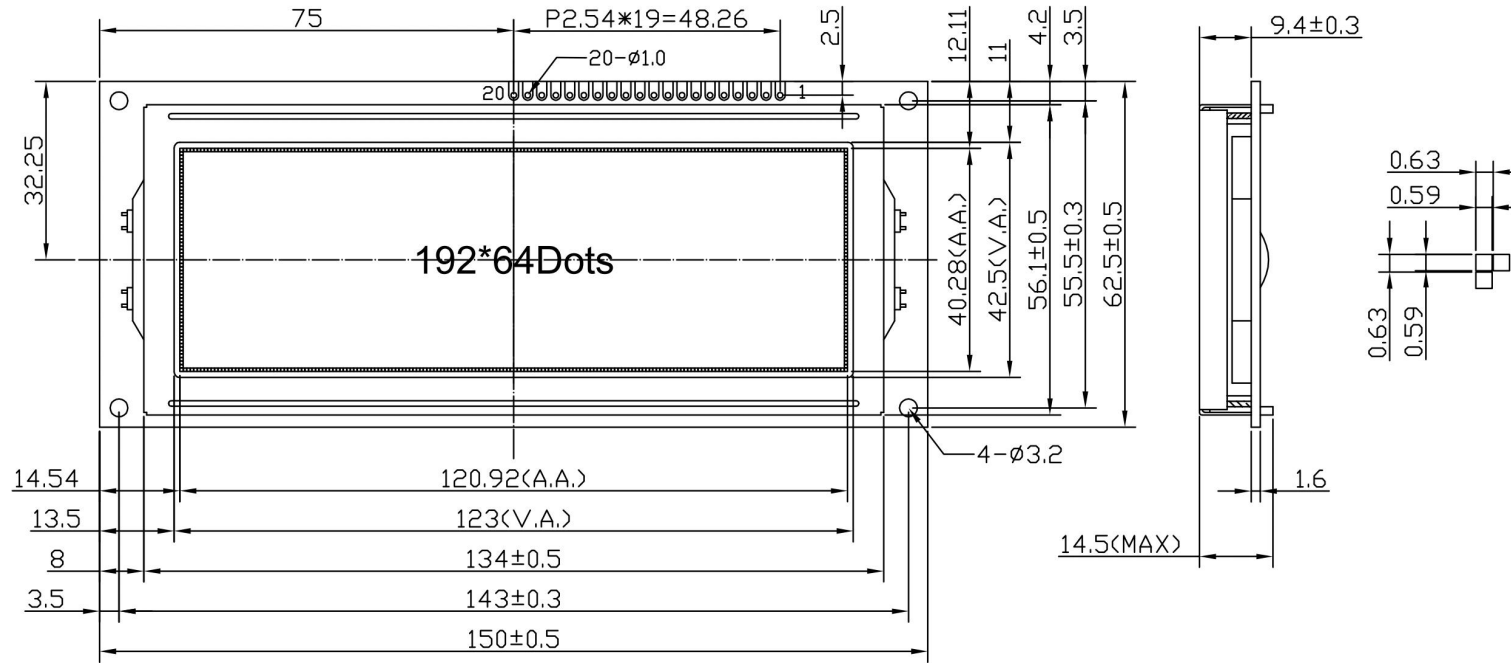


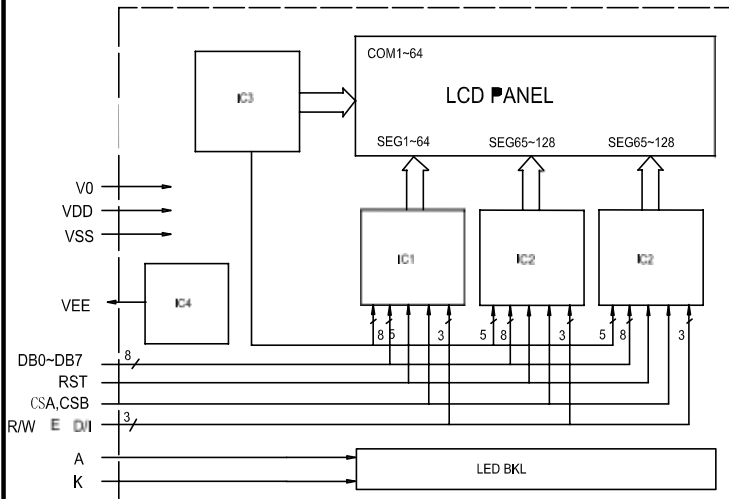
LONGTECH - LGM19264E



Pin connections

Pin	Symbol
1	CSA
2	CSB
3	VSS
4-11	VDD
12	V0
13	RS
14	RW
15	E
16	DB0~DB7
17	RST
18	VEE
19	A
20	K

Block diagram



Feature

- 192dots X 64dots matrix.
- Built-in controller (S6B0108)
- Interface with 8-bit ;5V power supply
- 5V;1/64Duty cycle, 1/9Bias.
- Display Mode & Backlight Variations.
- ROHS Compliant

Mechanical thickness

LCD module	T1	T2	Unit
Without or EL	5.4	9.0	mm
Edge backlight	6.2	10.0	mm
Bottom backlight	8.8	12.5	mm

Mechanical data

Item	Standard	Unit
Module size	150.0X62.5	mm
View area	123.0X42.5	mm
Dots size	0.59X0.59	mm
Dots pitch	0.63X0.63	mm

Maximum Absolute Power Ratings

Item	Symbol	Standard			Unit
		Min	Typ	Max	
Input voltage	Vdd	-0.3	---	5.5	V
Power supply	Vin	-0.3	---	VDD	

Electronical characteristics

Item	Symbol	Condition	Standard			Unit
			Min	Typ	Max	
Operating voltage	V _{DD}	V _{DD} =5.0V	4.5	---	5.5	V
Operating current	I _{DD}	V _{DD} =5.0V	---	7.2	8	mA
Recommended LCD driving voltage for normal temp module	V _{LCD}	T _A =+25 C	---	13.5	---	V
		T _A =0 C	---	13.8	---	
		T _A =-20 C	---	14.1	---	
Backlight voltage	V _{LED}	Y-G	---	4.2	---	V
Backlight current	I _{LED}	V _{LED} =4.2V	---	450	---	mA
Operating temperature	T _o	---	-20	---	70	C
Storage temperature	T _s	---	-30	---	80	