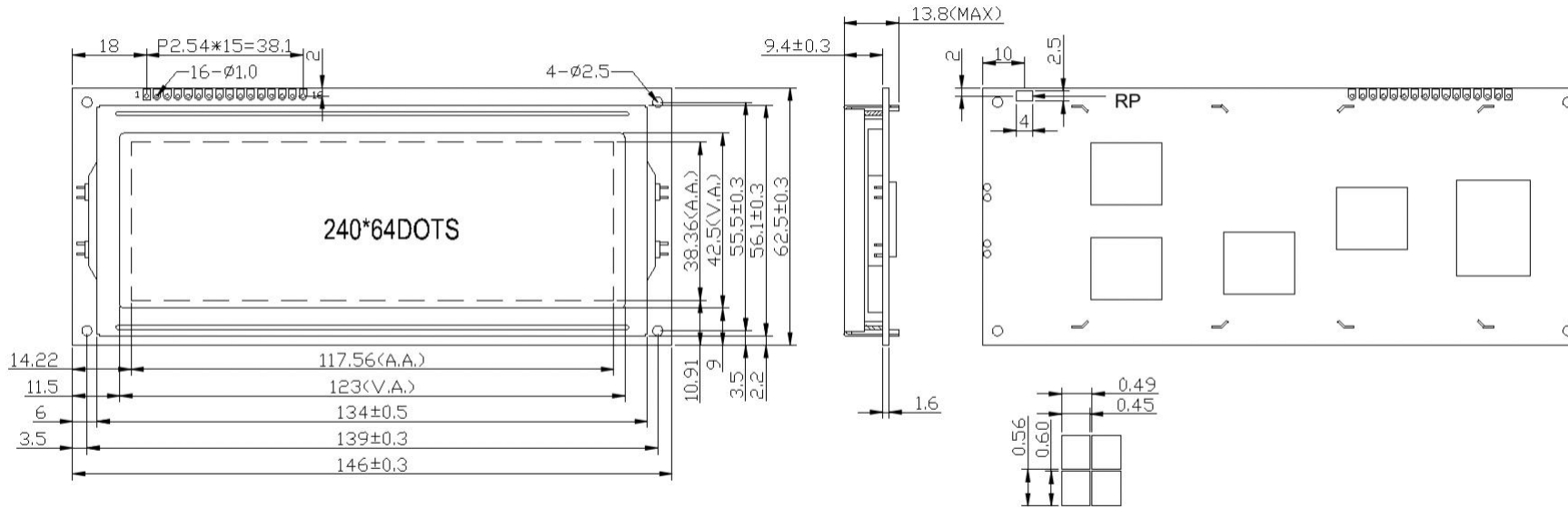


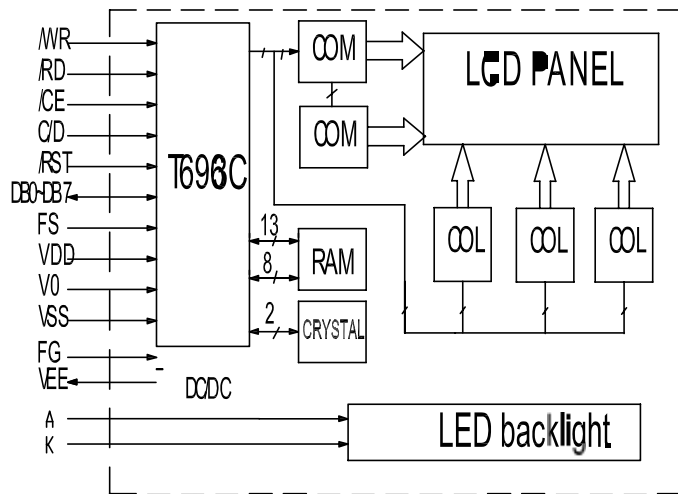
LONGTECH - LGM24064D

Pin connections

Pin	Symbol
1	VSS
2	VDD
3	V0
4	RS
5	R/W
6	EN
7-14	DB0-DB7
15	LED+
16	LED-



Block diagram



Feature

- 240dotS X 64dotS matrix.
- Built-in controller (RA8822P1N-S)
- / nterface with 8 - bit ; 5 v power Supply
- 5v; 1/64Duty cycle, 1/9BiaS.
- DiSplay Mode & Backlight variationS.
- ROHS Compliant

Mechanical thickness

LCD module	T1	T2	Unit
Without or EL	-	-	mm
Edge backlight	-	13.8	mm
Bottom backlight	-	13.8	mm

Mechanical data

Item	Standard	Unit
Module Size	146.0X62.5	mm
view area	123.0X42.5	mm
Dot Size	0.45X0.56	mm
Dot Size	0.49X0.60	mm

Maximum Absolute Power Ratings

Item	Symbol	Standard			Unit
		Min	Typ	Max	
/ nput voltage	vdd	-0.3	---	5.5	v
Power Supply	vin	-0.3	---	vDD	

Electronical characteristics

Item	Symbol	Condition	Standard			Unit
			Min	Typ	Max	
Operating voltage	V_{DD}	$V_{DD} = 5.0v$	4.5	5.0	5.5	v
Operating current	I_{DD}	$V_{DD} = 5.0v$	---	7.2	8	mA
Recommended LCD driving voltage for normal temp module	V_{LCD}	$T_A = +25\text{ C}$	---	12.4	---	v
		$T_A = 0\text{ C}$	---	12.6	---	
		$T_A = -20\text{ C}$	---	12.9	---	
Backlight voltage	V_{LED}	Y-G	---	4.2	---	v
Backlight current	I_{LED}	$V_{LED} = 4.2v$	---	450	---	mA
Operating temperature	T_o	---	-20	---	70	C
Storage temperature	T_s	---	-30	---	80	