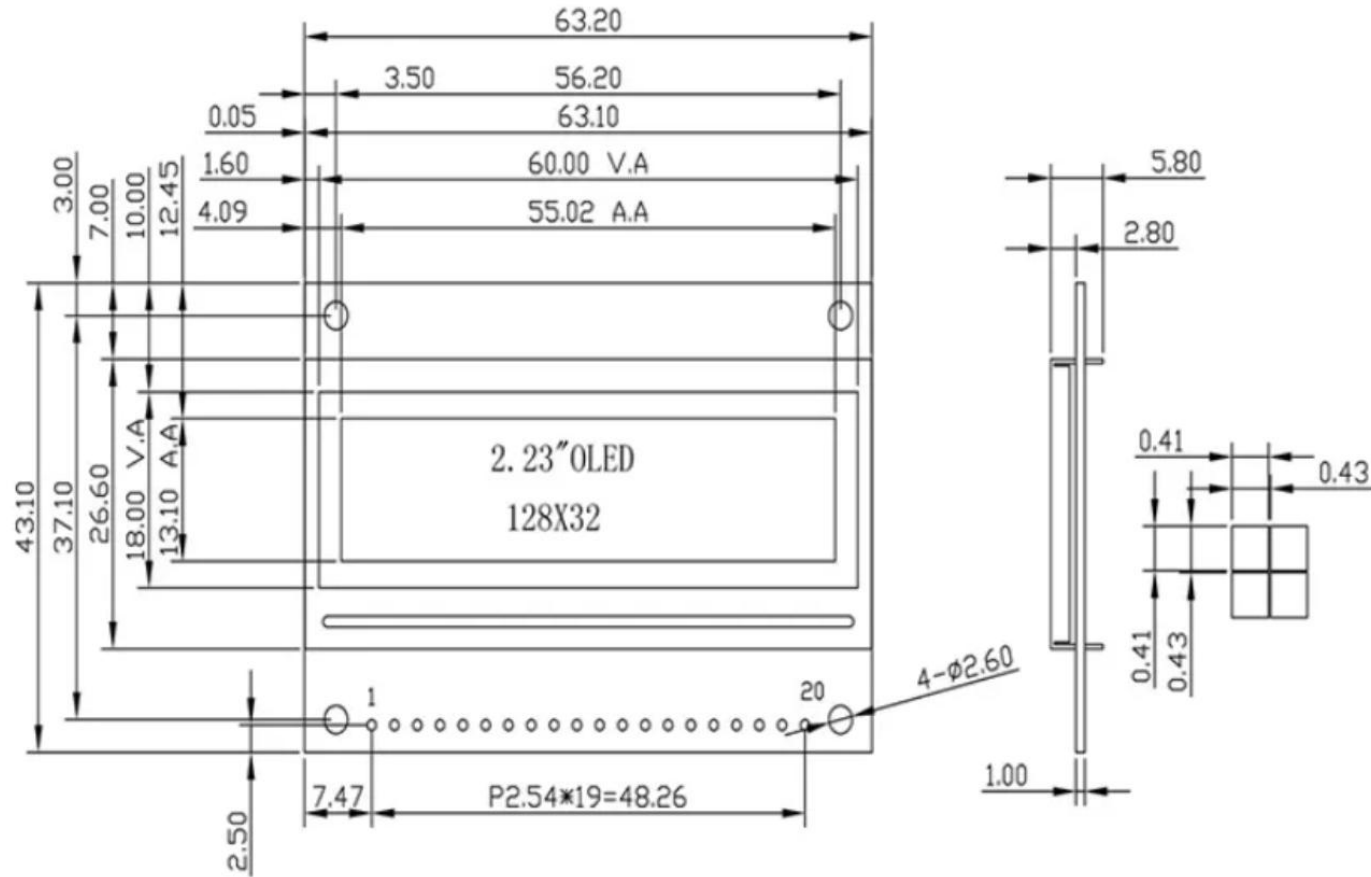


LONGTECH - LGO12832C-223



Pin Connection	
1	GND
2	VCC
3	NC
4	D/C(RS)
5	WR
6	RD
7	D0
8	D1
9	D2
10-14	D3-D7
15	GND
16	/RST
17	/CS
18	GND
19	BS2
20	BS1