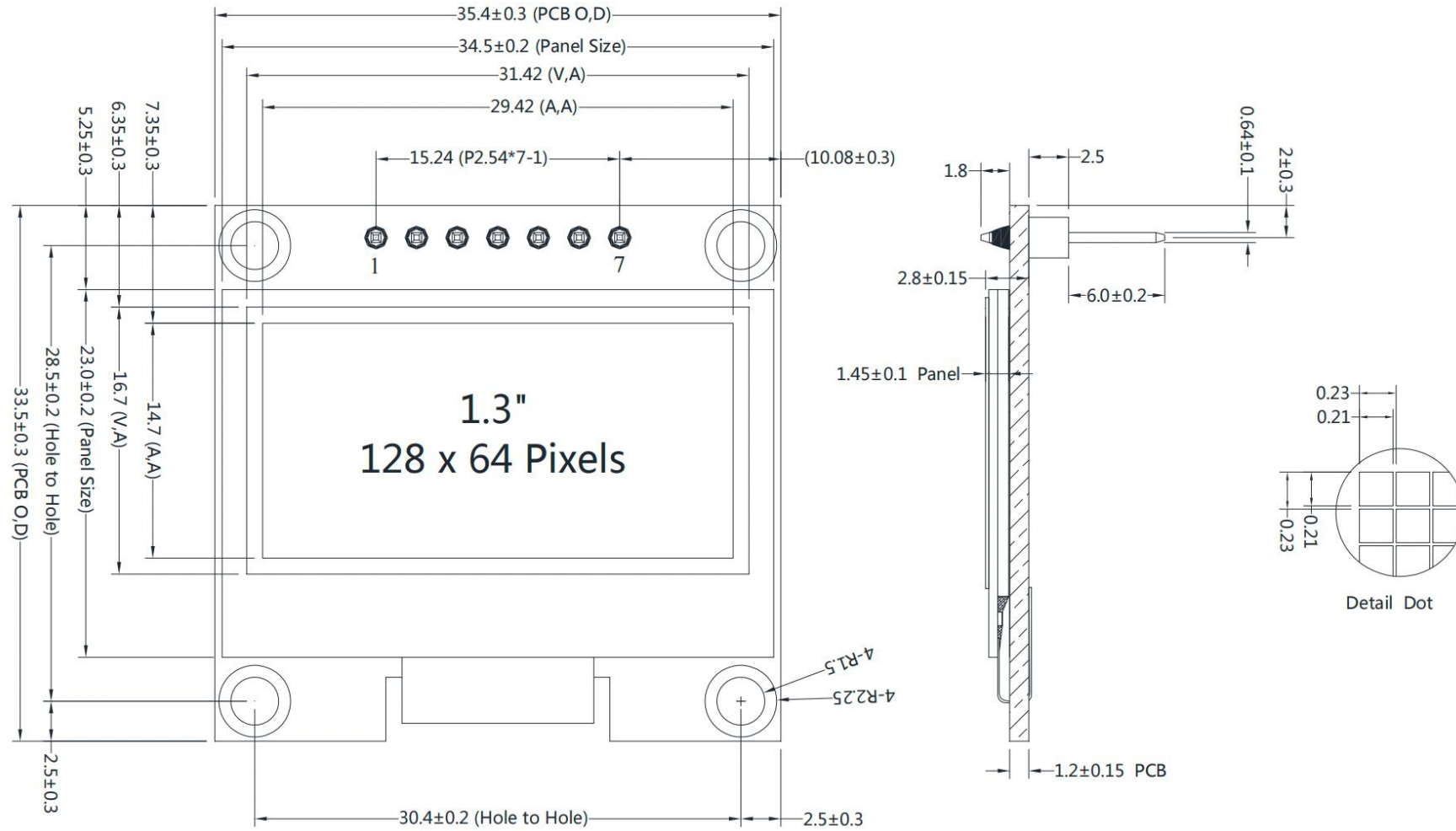


LONGTECH - LGO12864B-130



Pin Connection	
1	GND
2	VCC
3	SCL
4	SDA
5	RES
6	DC
7	CS