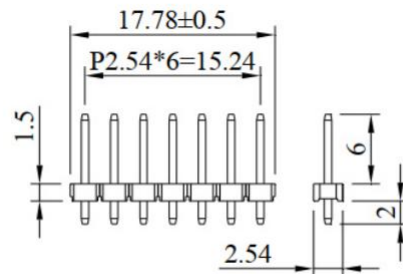
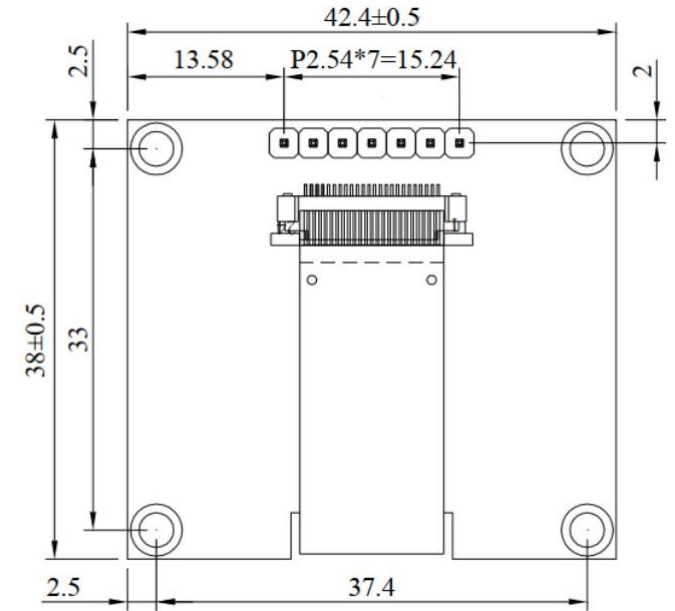
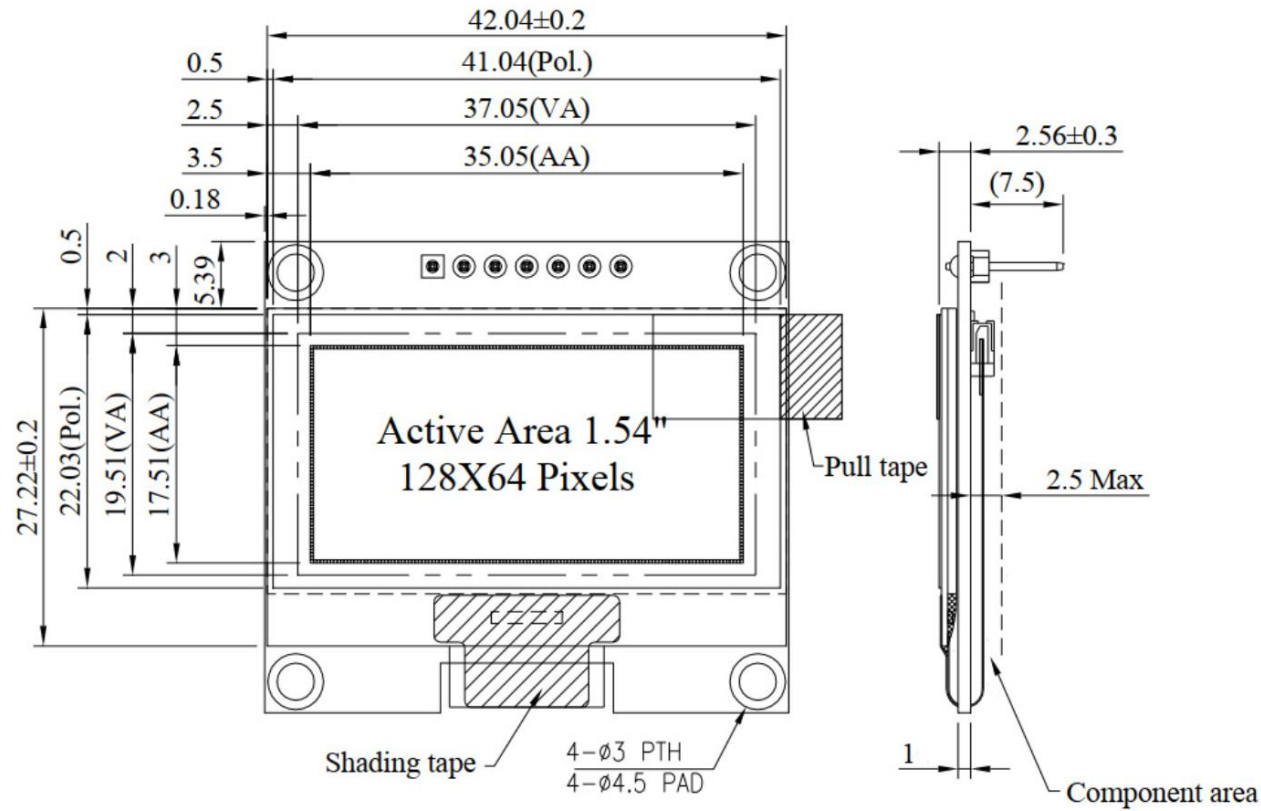


LONGTECH - LGO12864B-154



The non-specified tolerance of dimension is ± 0.3 mm .

Pin Connection	
1	GND
2	VCC
3	SCL
4	SDA
5	RES
6	DC
7	CS