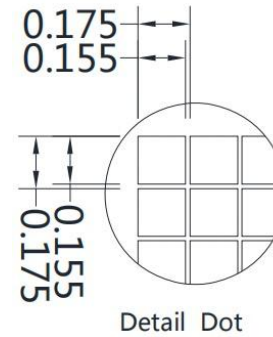
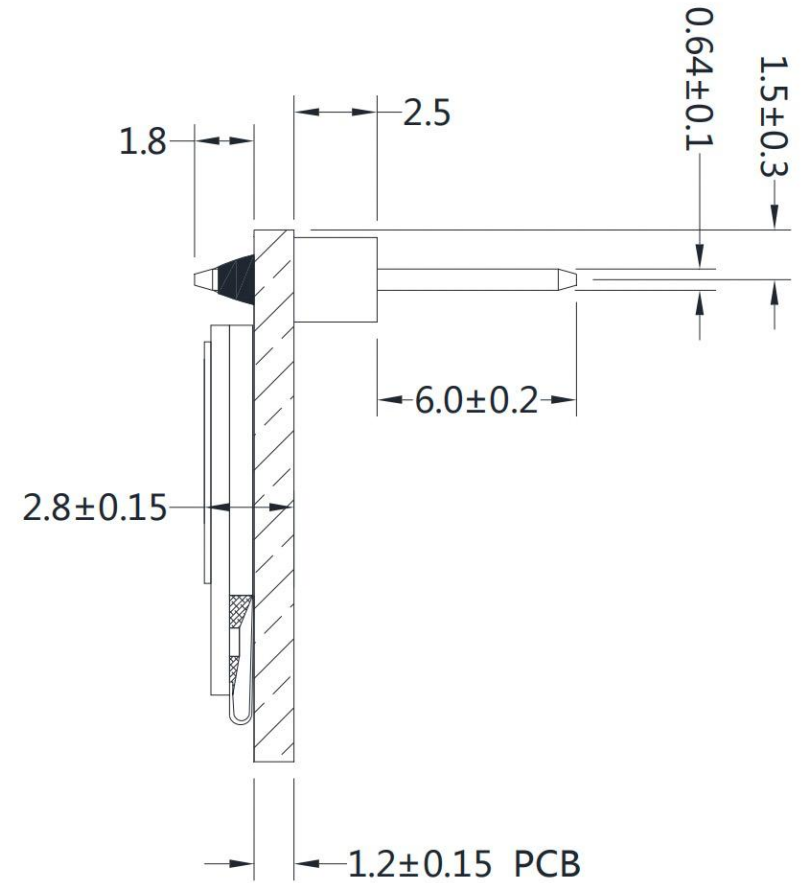
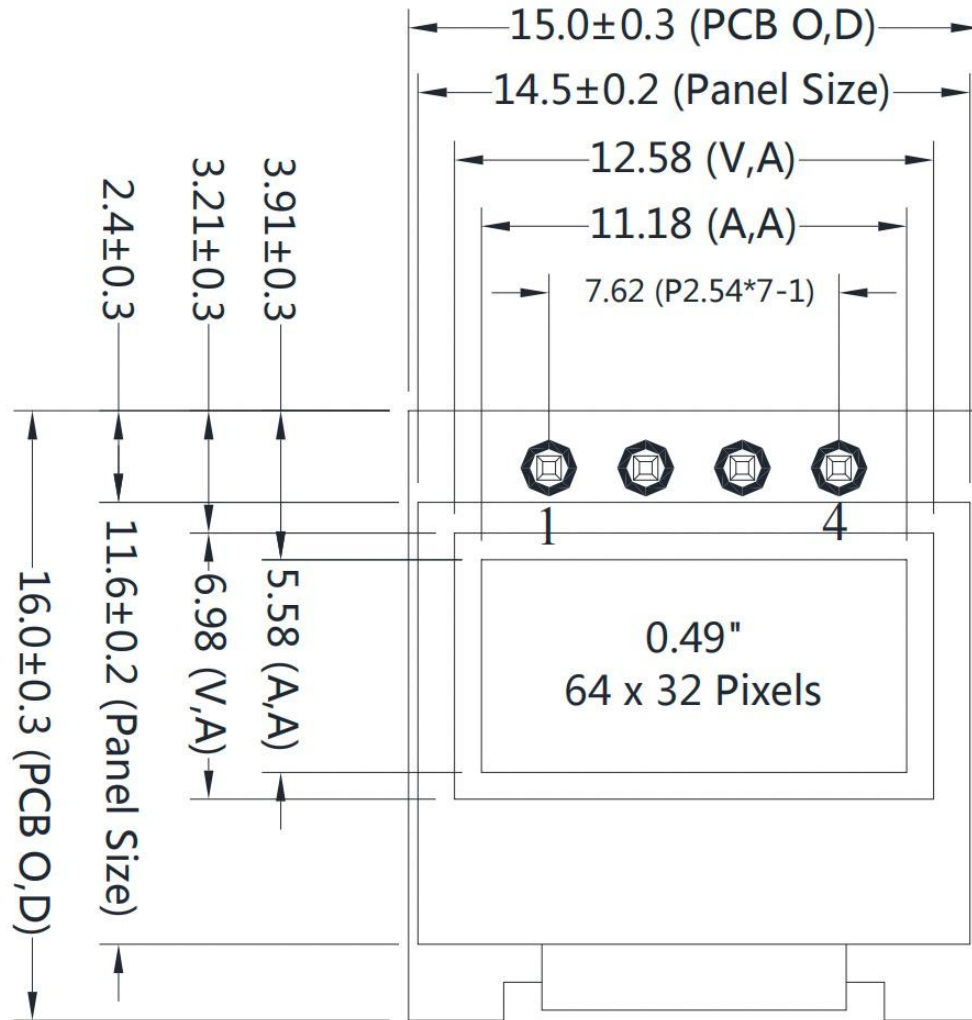


LONGTECH - LGO6432A-049



Pin Connection	
1	GND
2	VCC
3	SCL
4	SDA